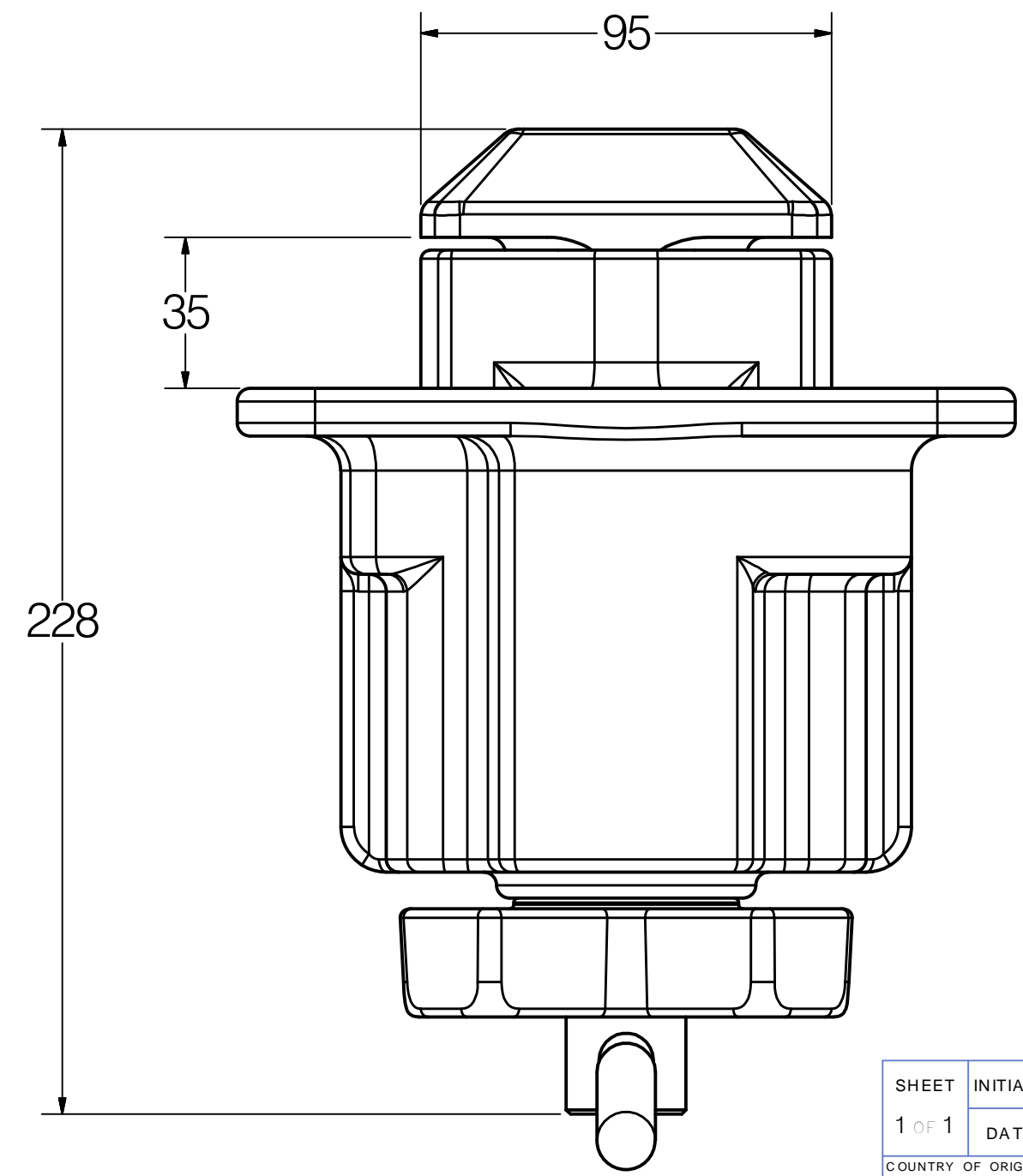
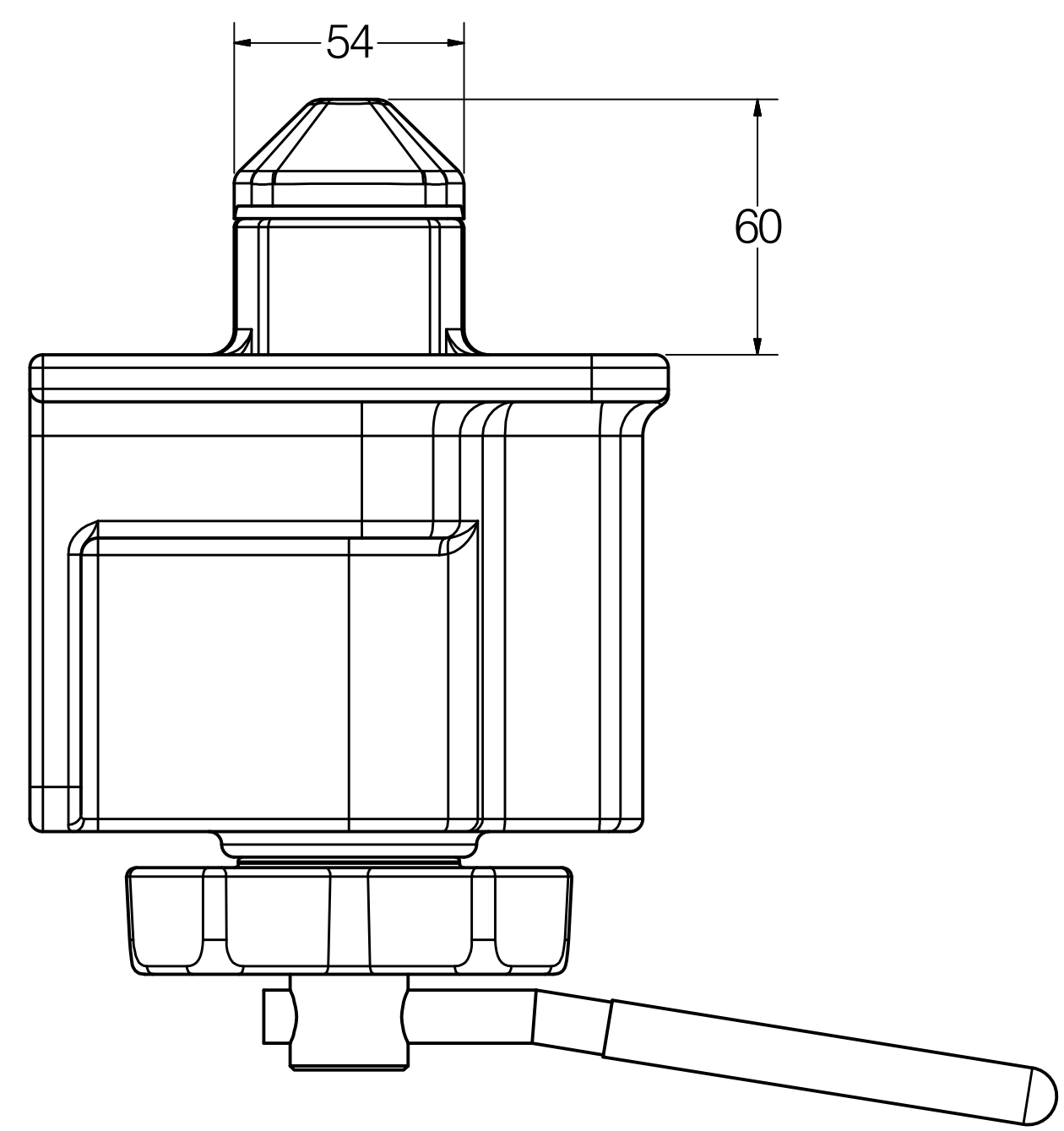
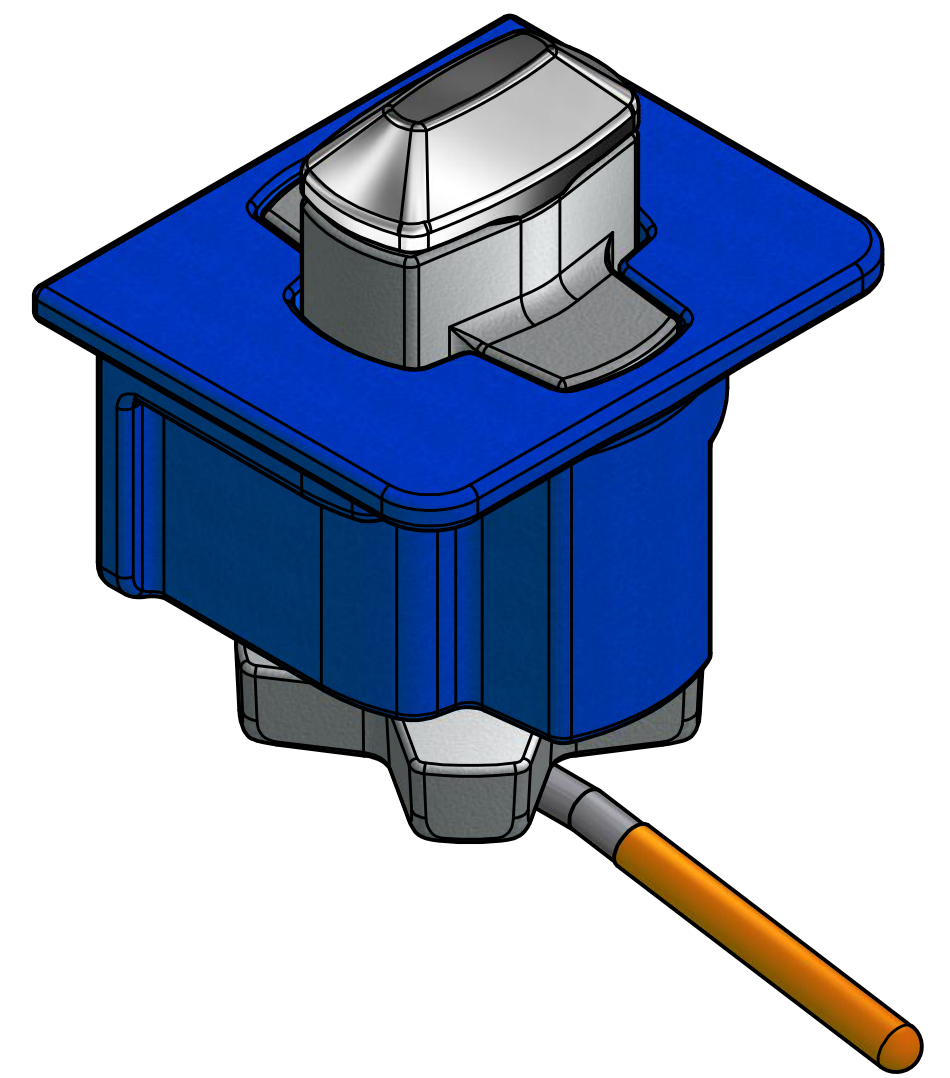
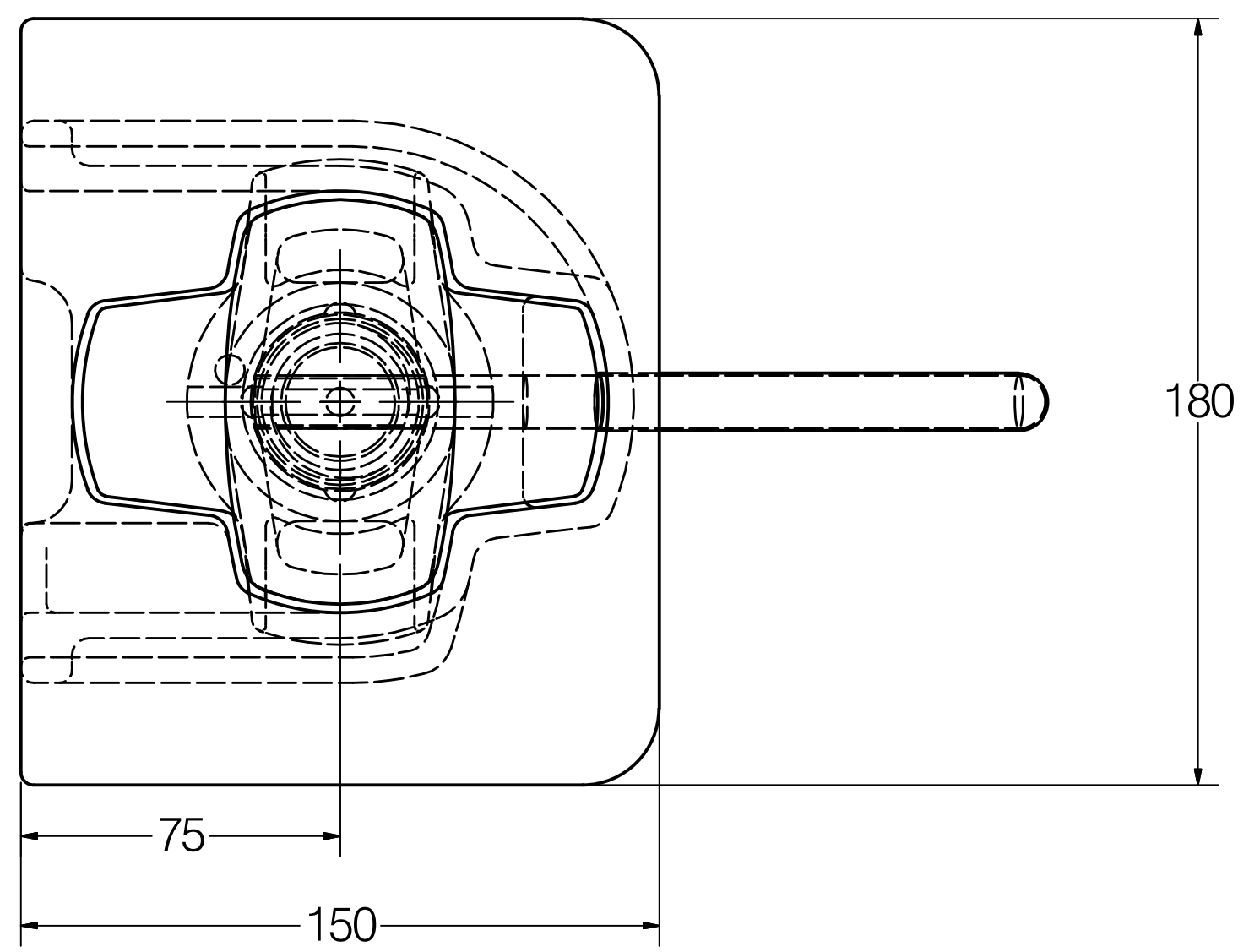


DCN.	ECN.	ECR	LOCATION	REV	BY	DATE	REMARKS
-	-	-	-	-	-	-	-



CC	FEATURES LABELED AS SUCH SHALL REQUIRE STATISTICAL PROCESS CONTROL
SC	FEATURES LABELED AS SUCH REQUIRE REFERENCE TO A CONTROL PLAN

SHEET	INITIALS	DR.	JMB	CK.	-	ENGR.	-	MFG.	-	QUAL.	-	MATL.	-
1 OF 1	DATE	3/16/2011											
COUNTRY OF ORIGIN	3RD ANGLE	DO NOT SCALE											
UNITS	PROJECTION	PLOT SCALE	1:1										
MILLIMETERS		DRAWING SCALE	NTS										

**KRISRY International**

KRISRY INTERNATIONAL, INC.  
1000 N. Rand Rd. Suite 117  
Wauconda, IL 60084  
(847) 487-4907

<p><b>GEOMETRIC TOLERANCE SYMBOLS</b></p> <ul style="list-style-type: none"> <li>CONCENTRICITY</li> <li>SYMMETRICAL</li> <li>PARALLELISM</li> <li>FLATNESS</li> <li>MOST MATERIAL CONDITION</li> <li>PROFILE OF A SURFACE</li> <li>LEAST MATERIAL CONDITION</li> <li>REGARDLESS OF FEATURE SIZE</li> </ul>	<p><b>POSITION SYMBOLS</b></p> <ul style="list-style-type: none"> <li>CIRCULARITY</li> <li>CYLINDRICITY</li> <li>TOTAL RUNOUT</li> <li>CIRCULAR RUNOUT</li> <li>PROFILE OF A LINE</li> </ul>	<p><b>PERPENDICULARITY SYMBOLS</b></p> <ul style="list-style-type: none"> <li>PERPENDICULARITY</li> <li>STRAIGHTNESS</li> <li>ANGULARITY</li> </ul>
<p>⊙ BASIC DIMENSION</p> <p>▭ DATUM</p>		

DRAWING TITLE	RETRACTABLE TWISTLOCK	REV	
DRAWING NUMBER	BLR148/RS Mk1	DWG SIZE	C