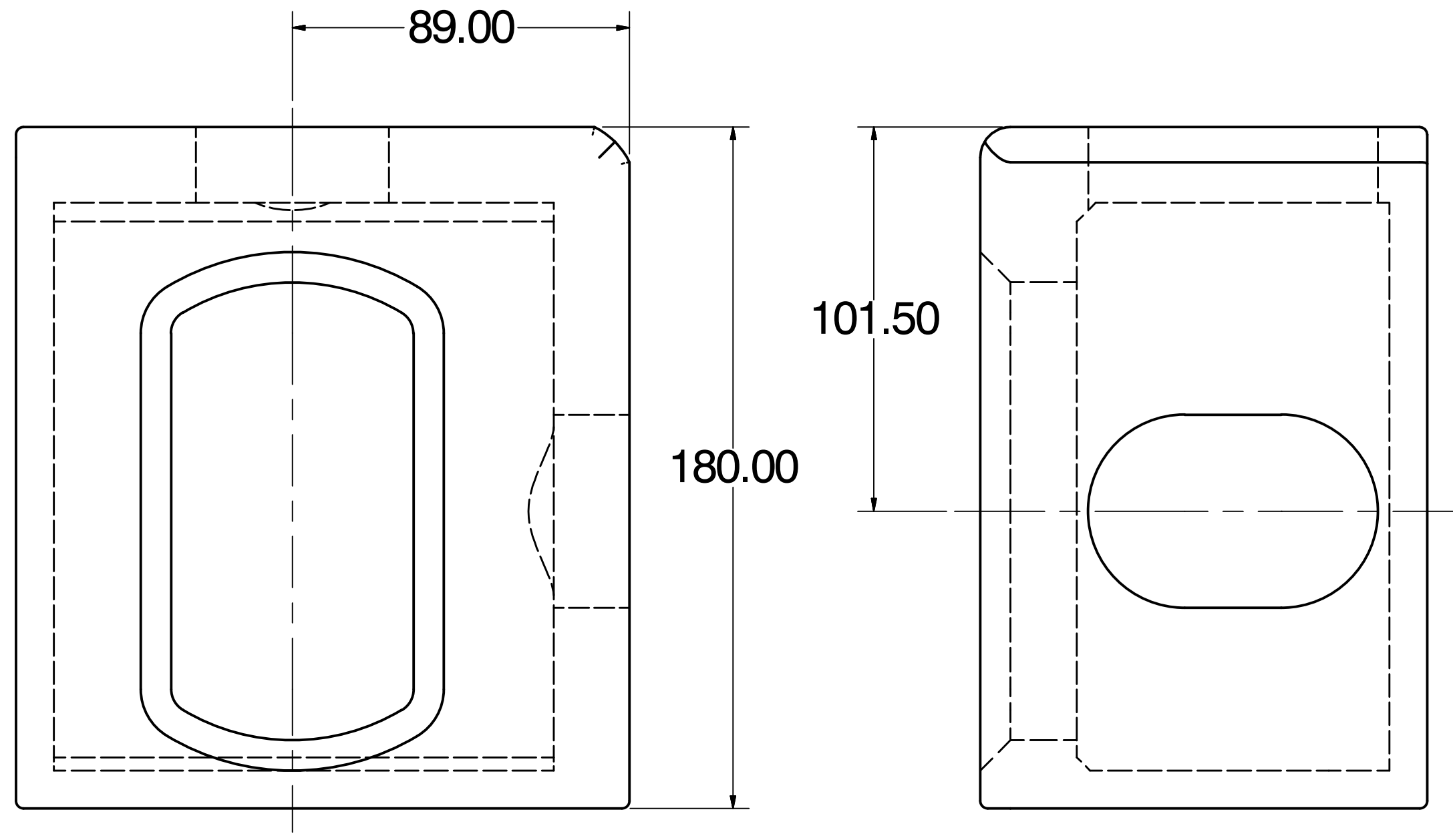
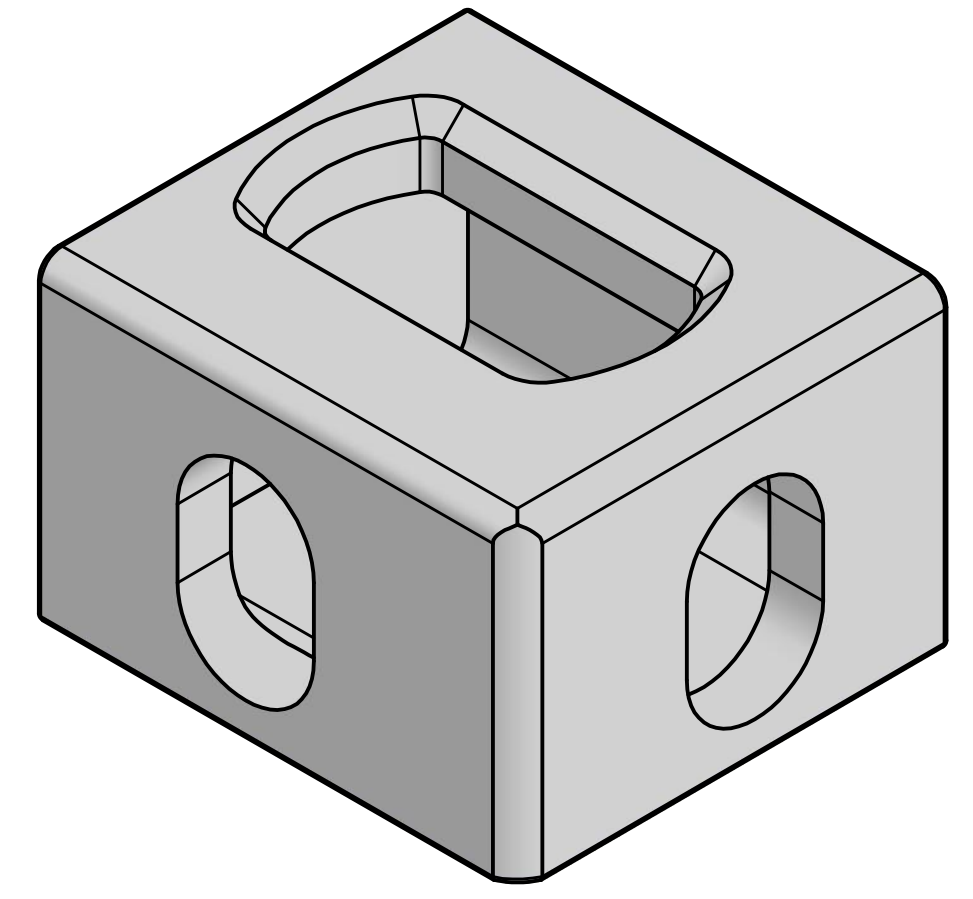
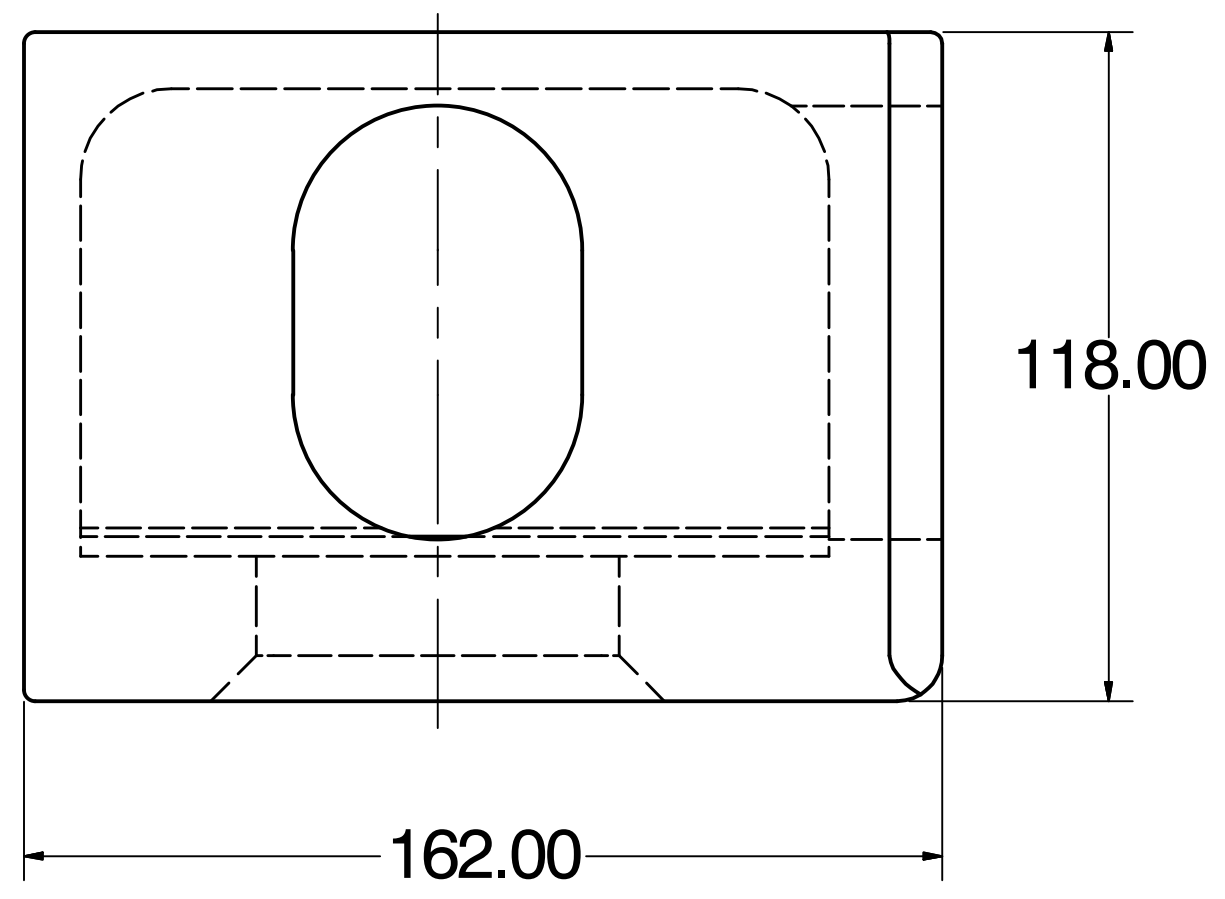


|               |          |     |     |      |         |
|---------------|----------|-----|-----|------|---------|
| DCN. ECN. ECR | LOCATION | REV | BY  | DATE | REMARKS |
| -             | -        | -   | CHK | -    | REMARKS |



RH SHOWN ( LH OPPOSITE)

|    |  |
|----|--|
| CC | FEATURES LABELED AS SUCH SHALL REQUIRE STATISTICAL PROCESS CONTROL |
| SC | FEATURES LABELED AS SUCH REQUIRE REFERENCE TO A CONTROL PLAN       |

|  |          |               |     |                |   |       |   |      |   |       |          |       |   |
|--|----------|---------------|-----|----------------|---|-------|---|------|---|-------|----------|-------|---|
| SHEET  | INITIALS | DR.           | JMB | CK.            | - | ENGR. | - | MFG. | - | QUAL. | -        | MATL. | - |
| 1 OF 1   | DATE     | 10/01/10      |     |                |   |       |   |      |   |       |          |       |   |
| COUNTRY OF ORIGIN  |          | 3RD ANGLE     |     | DO NOT SCALE   |   |       |   |      |   |       |          |       |   |
| UNITS  |          | PROJECTION    |     | PLOT SCALE 1:1 |   |       |   |      |   |       |          |       |   |
| MILLIMETERS  |          | DRAWING SCALE |     | NTS            |   |       |   |      |   |       |          |       |   |
| <b>GEOMETRIC TOLERANCE SYMBOLS</b><br>CONCENTRICITY    POSITION    PERPENDICULARITY<br>SYMMETRICAL    CIRCULARITY    STRAIGHTNESS<br>PARALLELISM    CIRCULARITY    ANGULARITY<br>FLATNESS    TOTAL RUNOUT    CIRCULAR RUNOUT<br>MOST MATERIAL CONDITION    PROFILE OF A LINE<br>PROFILE OF A SURFACE    BASIC DIMENSION<br>LEAST MATERIAL CONDITION    DATUM<br>REGARDLESS OF FEATURE SIZE |          |               |     |                |   |       |   |      |   |       |          |       |   |
| This drawing is the property of Krisry International Inc. It is furnished to you for confidential information purposes only. It is not to be disclosed to anyone else, reproduced, or used for manufacturing purposes without the express written permission of Krisry International Inc.  |          |               |     |                |   |       |   |      |   |       |          |       |   |
| DRAWING TITLE  |          |               |     |                |   |       |   |      |   |       | REV      |       |   |
| LOWER CORNER FITTING   |          |               |     |                |   |       |   |      |   |       |          |       |   |
| DRAWING NUMBER   |          |               |     |                |   |       |   |      |   |       | DWG SIZE |       |   |
| BLR1069  |          |               |     |                |   |       |   |      |   |       | C        |       |   |