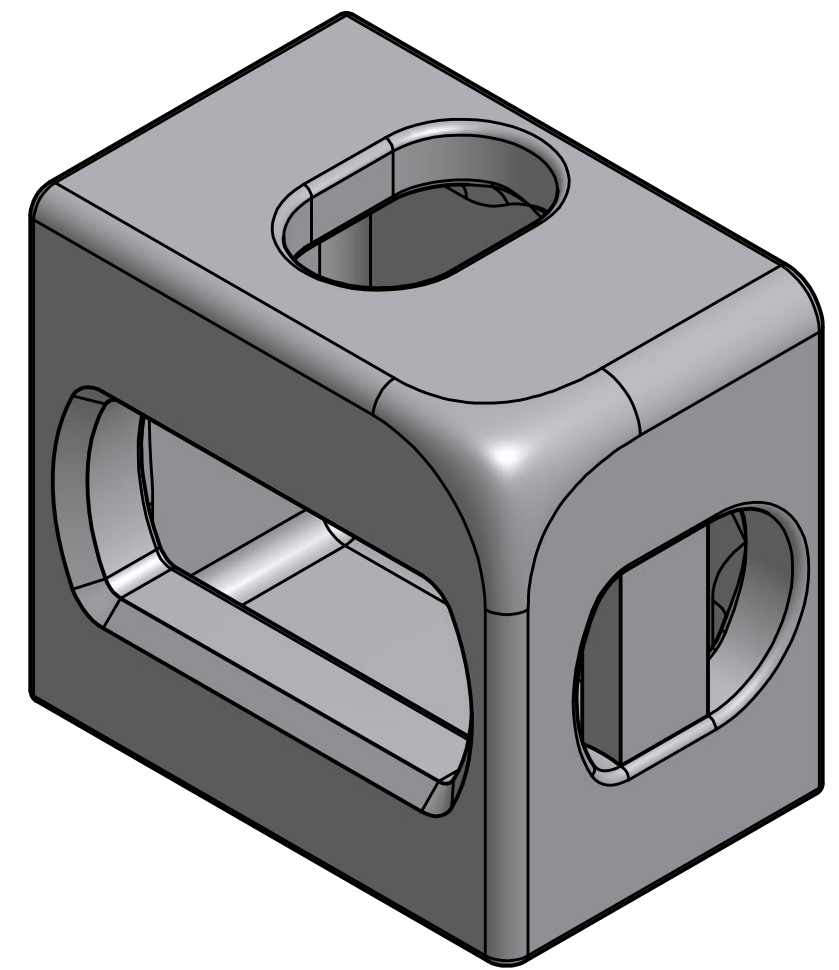
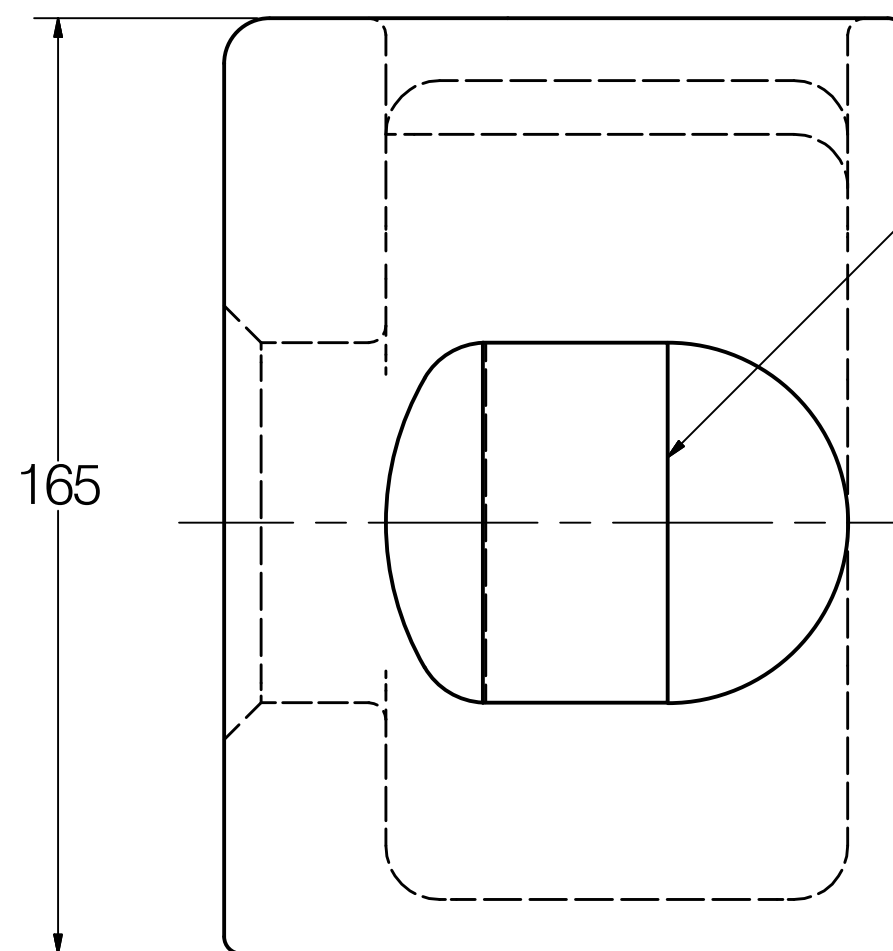
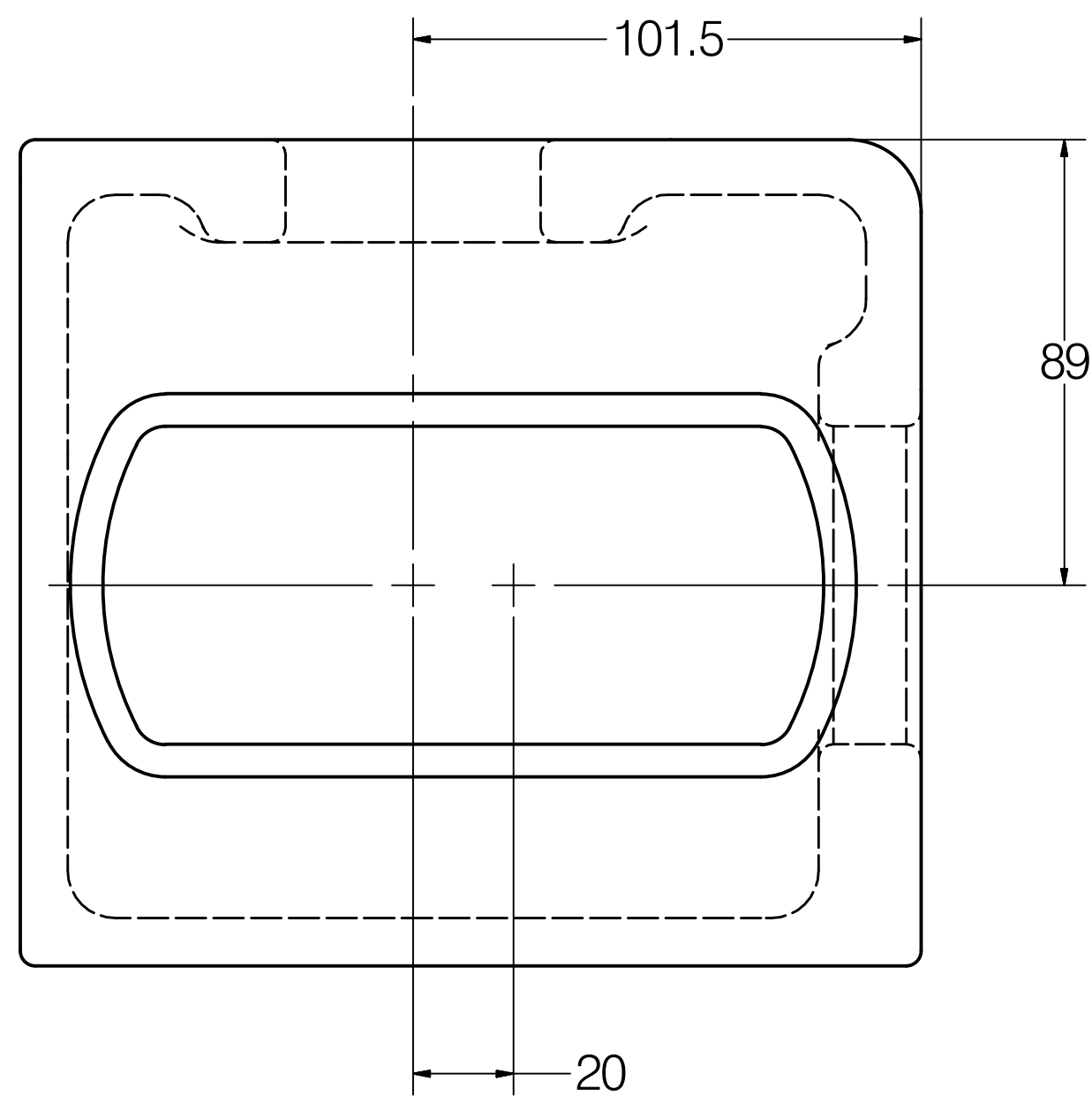
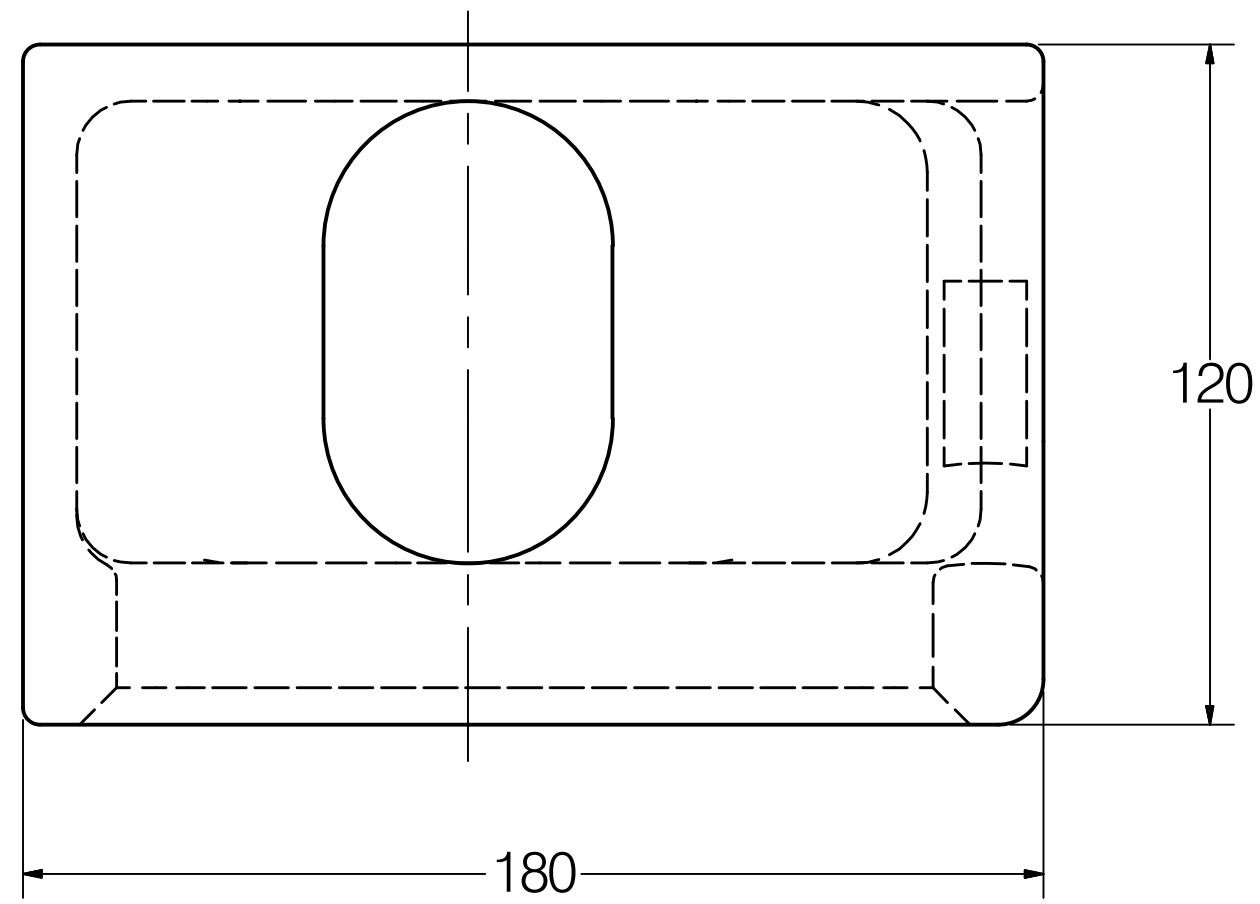


DCN. ECN. ECR	LOCATION	REV	BY	DATE	REMARKS
-	-	-	-	-	-



NOTE: END APERTURE MUST BE BLANKED OFF TO PREVENT 'HOOK LIFTING' (REF. ISO 1496-5)

RH SHOWN (LH OPPOSITE)

CC	FEATURES LABELED AS SUCH SHALL REQUIRE STATISTICAL PROCESS CONTROL
SC	FEATURES LABELED AS SUCH REQUIRE REFERENCE TO A CONTROL PLAN

SHEET 1 OF 1	INITIALS JMB	DR.	DATE 2/16/2011	CK.	ENGR.	MFG.	QUAL.	MATL.	
COUNTRY OF ORIGIN		3RD ANGLE 	DO NOT SCALE	KRISRY INTERNATIONAL, INC. 1000 N. Rand Rd. Suite 117 Wauconda, IL 60084 (847) 487-4907					
UNITS MILLIMETERS	PROJECTION		PLOT SCALE 1:1 DRAWING SCALE NTS						
GEOMETRIC TOLERANCE SYMBOLS CONCENTRICITY, SYMMETRICAL, PARALLELISM, FLATNESS, MOST MATERIAL CONDITION, PROFILE OF A SURFACE, LEAST MATERIAL CONDITION, REGARDLESS OF FEATURE SIZE, POSITION, CIRCULARITY, CYLINDRICITY, TOTAL RUNOUT, PROFILE OF A LINE, PERPENDICULARITY, STRAIGHTNESS, ANGULARITY, CIRCULAR RUNOUT, BASIC DIMENSION, DATUM				This drawing is the property of Krisry International Inc. It is furnished to you for confidential information purposes only. It is not to be disclosed to anyone else, reproduced, or used for manufacturing purposes without the express written permission of Krisry International Inc.					
DRAWING TITLE			REV			DWG SIZE			
EXTENDED APERTURE CASTING						C			
DRAWING NUMBER									
BLR430									