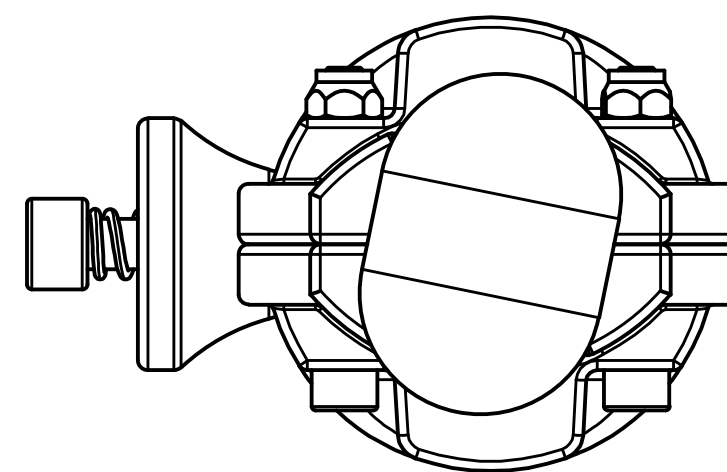
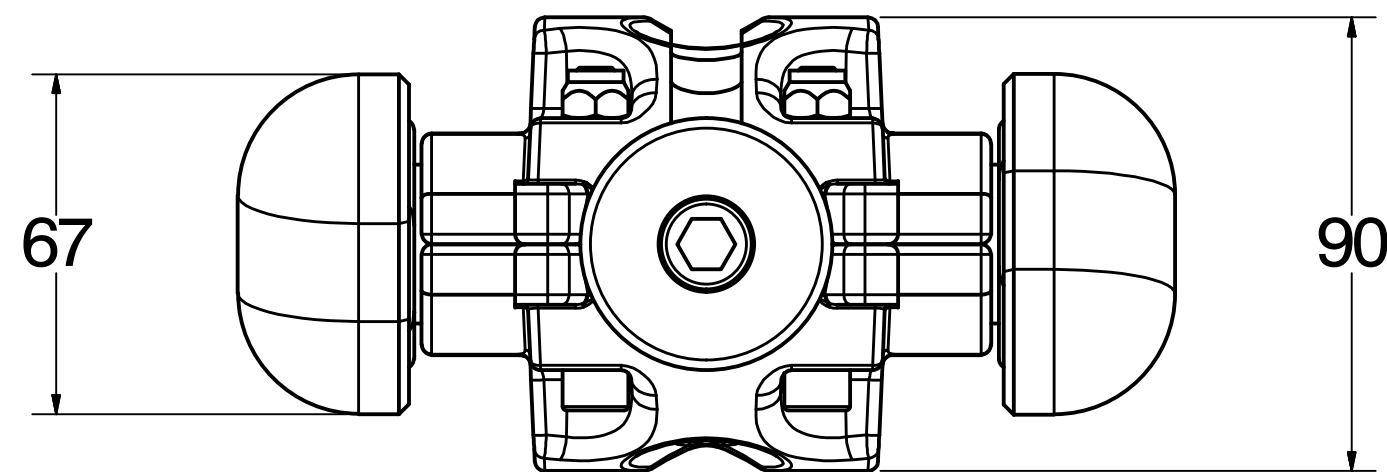
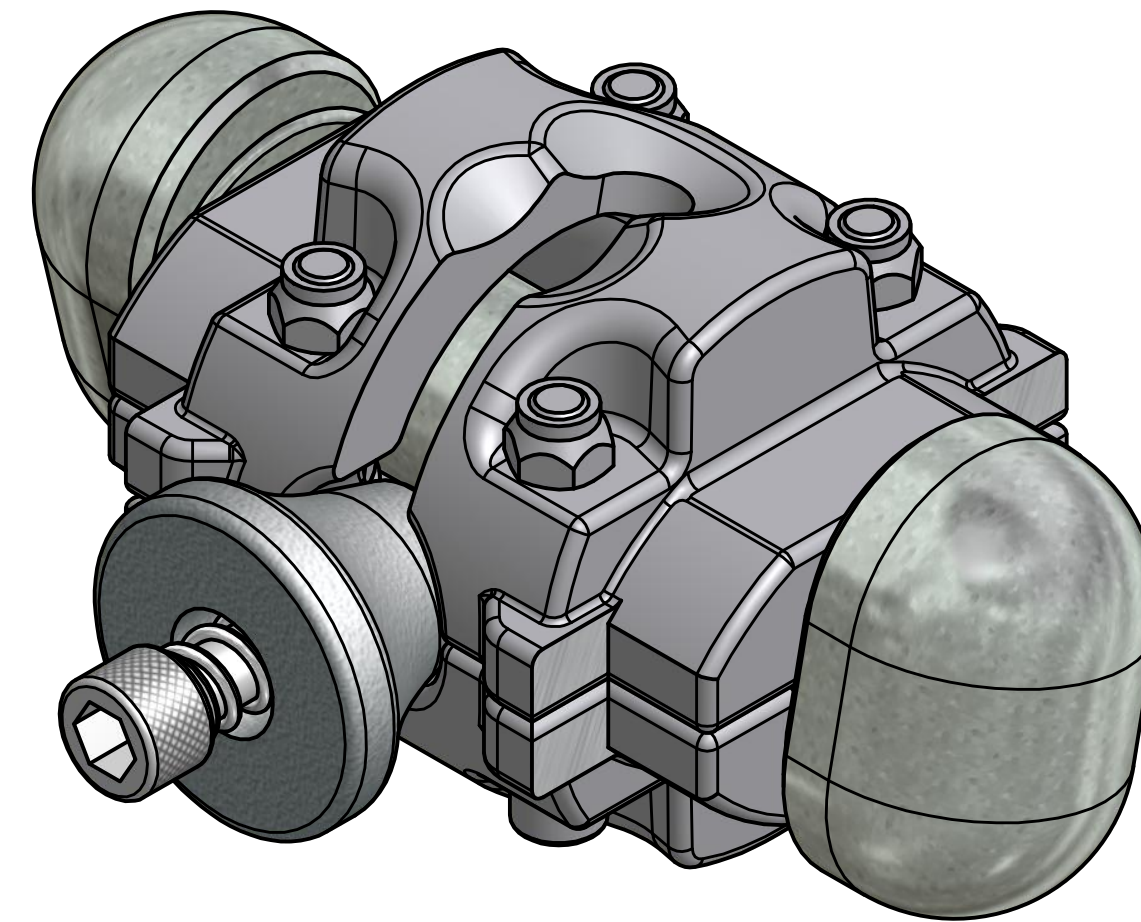
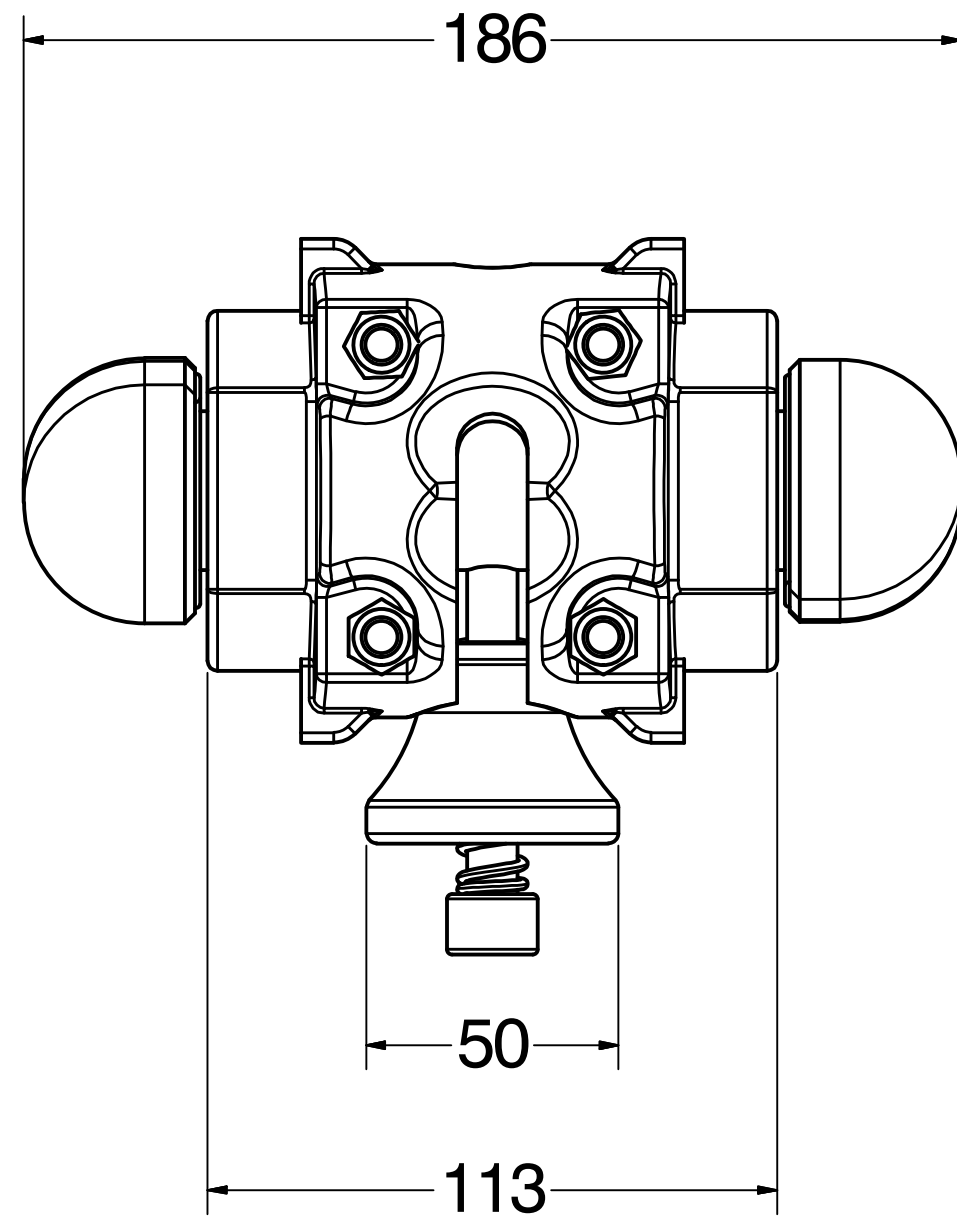


DCN, ECN, ECR	LOCATION	REV	BY	DATE	REMARKS
-	-	-	CHK	-	REMARKS



CC	FEATURES LABELED AS SUCH SHALL REQUIRE STATISTICAL PROCESS CONTROL
SC	FEATURES LABELED AS SUCH REQUIRE REFERENCE TO A CONTROL PLAN

SHEET	INITIALS	DR.	EDC	CK.	-	ENGR.	-	MFG.	-	QUAL.	-	MATL.	-
1 of 1	DATE	6/12/2013											
COUNTRY OF ORIGIN	3RD ANGLE		DO NOT SCALE		KRISRY INTERNATIONAL INC. (847) 487-4907 - phone 1000 N. Rand Road, Suite 117 Wauconda, Illinois 60084								
UNITS	 PROJECTION		PLOT SCALE 1:1 DRAWING SCALE NTS										
GEOMETRIC TOLERANCE SYMBOLS CONCENTRICITY POSITION PERPENDICULARITY SYMMETRICAL CIRCULARITY STRAIGHTNESS PARALLELISM CYLINDRICITY ANGULARITY FLATNESS TOTAL RUNOUT CIRCULAR RUNOUT MOST MATERIAL CONDITION PROFILE OF A LINE PROFILE OF A SURFACE BASIC DIMENSION LEAST MATERIAL CONDITION DATUM REGARDLESS OF FEATURE SIZE													
This drawing is the property of Krisry International Inc. It is furnished to you for confidential information purposes only. It is not to be disclosed to anyone else, reproduced, or used for manufacturing purposes without the express written permission of Krisry International Inc.											DRAWING TITLE		REV
											D-1015		
											DRAWING NUMBER		DWG SIZE
													C