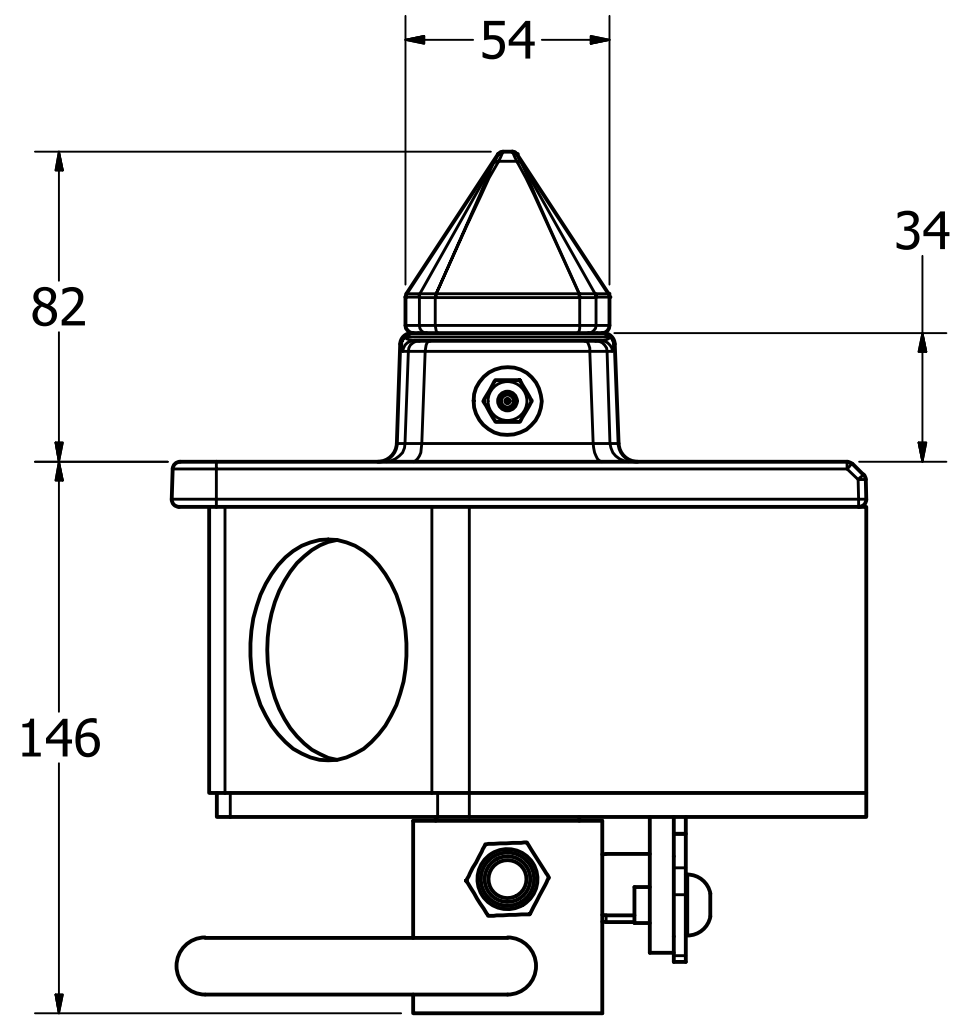
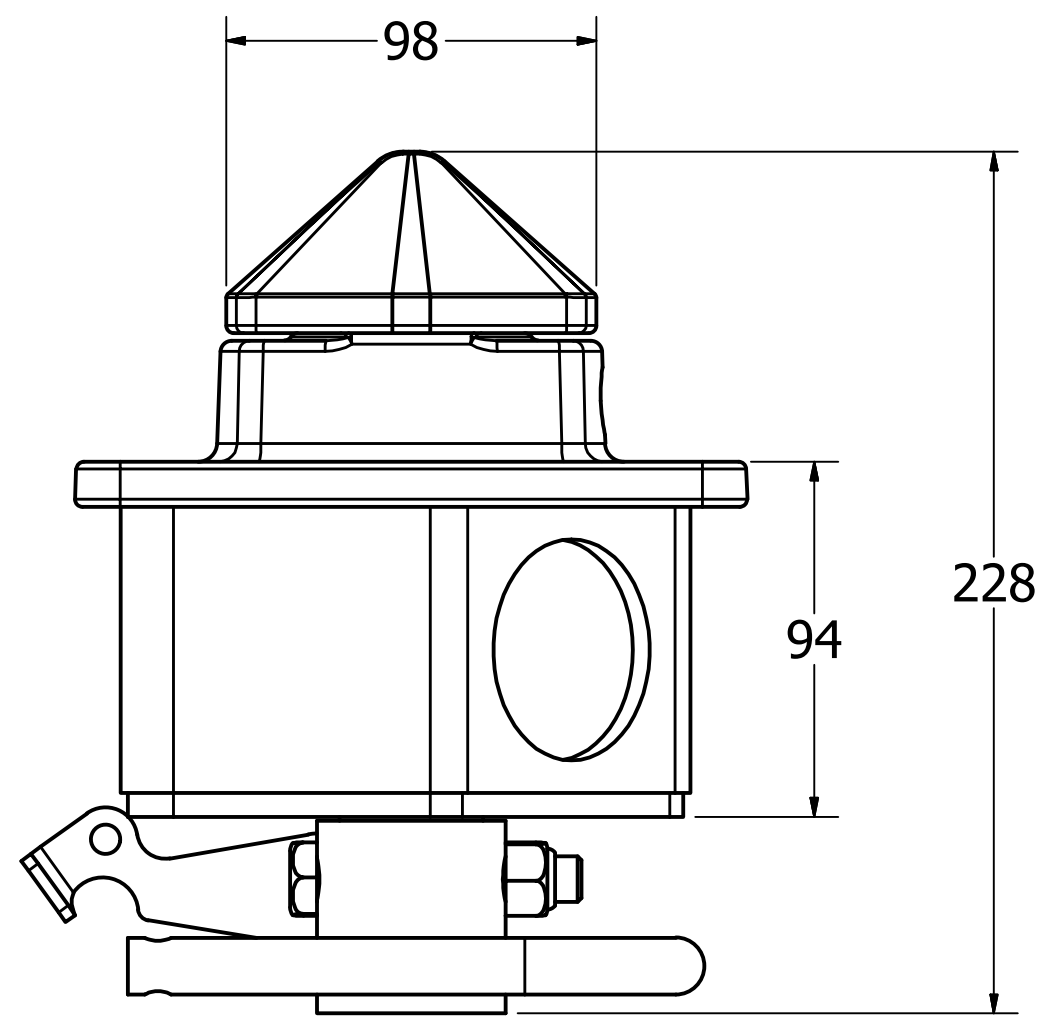
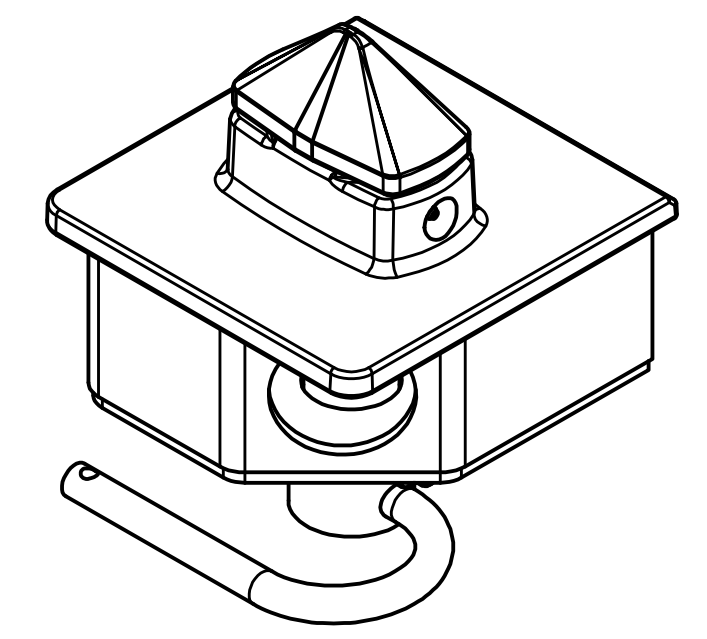
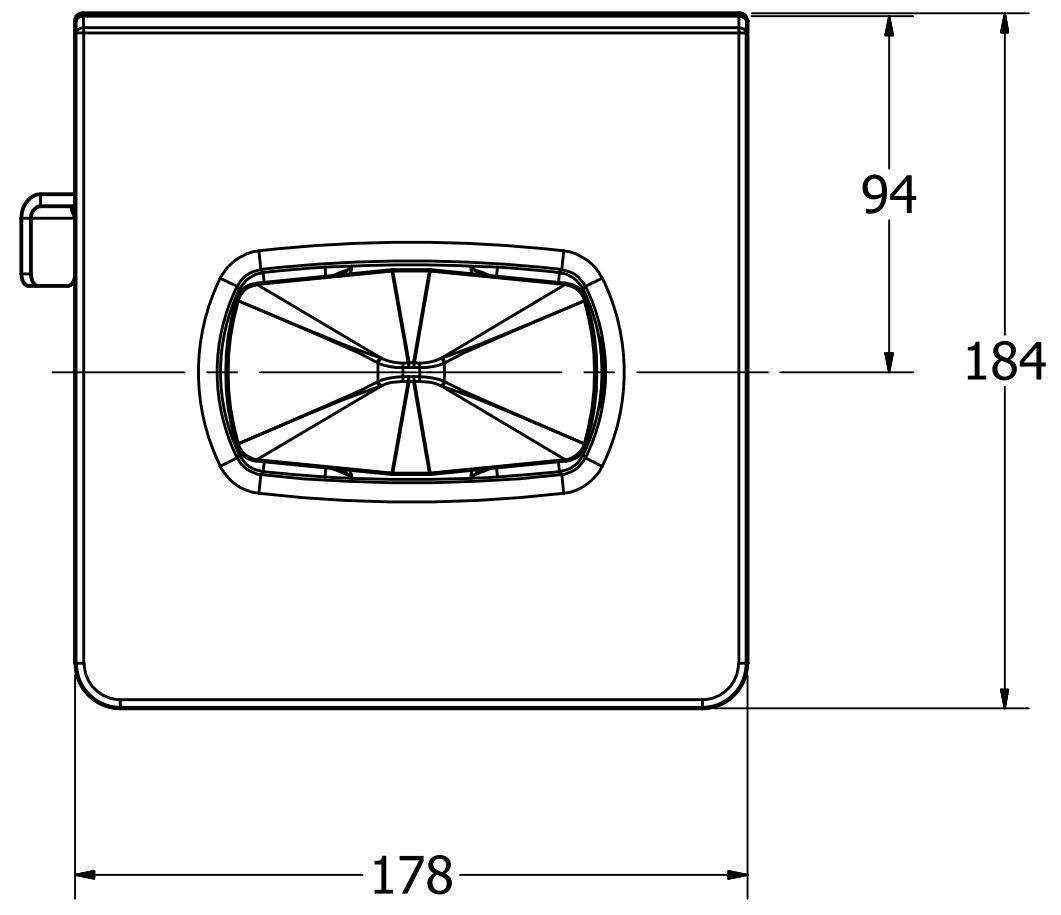


DCN.	ECN.	ECR	8	LOCATION	REV	BY	DATE	REMARKS	10	11
-	-	-	-	-	-	-	-	-	-	-



CC	FEATURES LABELED AS SUCH SHALL REQUIRE STATISTICAL PROCESS CONTROL
SC	FEATURES LABELED AS SUCH REQUIRE REFERENCE TO A CONTROL PLAN

SHEET	INITIALS	DR.	JMB	CK.	-	ENGR.	-	MFG.	-	QUAL.	-	MATL.	-
1 OF 1	DATE	12/6/2010											
COUNTRY OF ORIGIN	3RD ANGLE	DO NOT SCALE	KRISRY INTERNATIONAL, INC. 1000 N. Rand Rd. Suite 117 Wauconda, IL 60084 (847) 487-4907										
UNITS	MILLIMETERS	PROJECTION	PLOT SCALE	1:1	DRAWING SCALE	NTS	This drawing is the property of Krisry International Inc. It is furnished to you for confidential information purposes only. It is not to be disclosed to anyone else, reproduced, or used for manufacturing purposes without the express written permission of Krisry International Inc..						
GEOMETRIC TOLERANCE SYMBOLS CONCENTRICITY, SYMMETRICAL, PARALLELISM, FLATNESS, MOST MATERIAL CONDITION, PROFILE OF A SURFACE, LEAST MATERIAL CONDITION, REGARDLESS OF FEATURE SIZE			TOLERANCE SYMBOLS POSITION, CIRCULARITY, CYLINDRICITY, TOTAL RUNOUT, CIRCULAR RUNOUT, PROFILE OF A LINE, BASIC DIMENSION, DATUM			SYMBOLS PERPENDICULARITY, STRAIGHTNESS, ANGULARITY, CIRCULAR RUNOUT, PROFILE OF A LINE, BASIC DIMENSION, DATUM			DRAWING TITLE NON-RETRACTABLE TWISTLOCK				
DRAWING NUMBER											REV		
ML86-4 Assy											C		