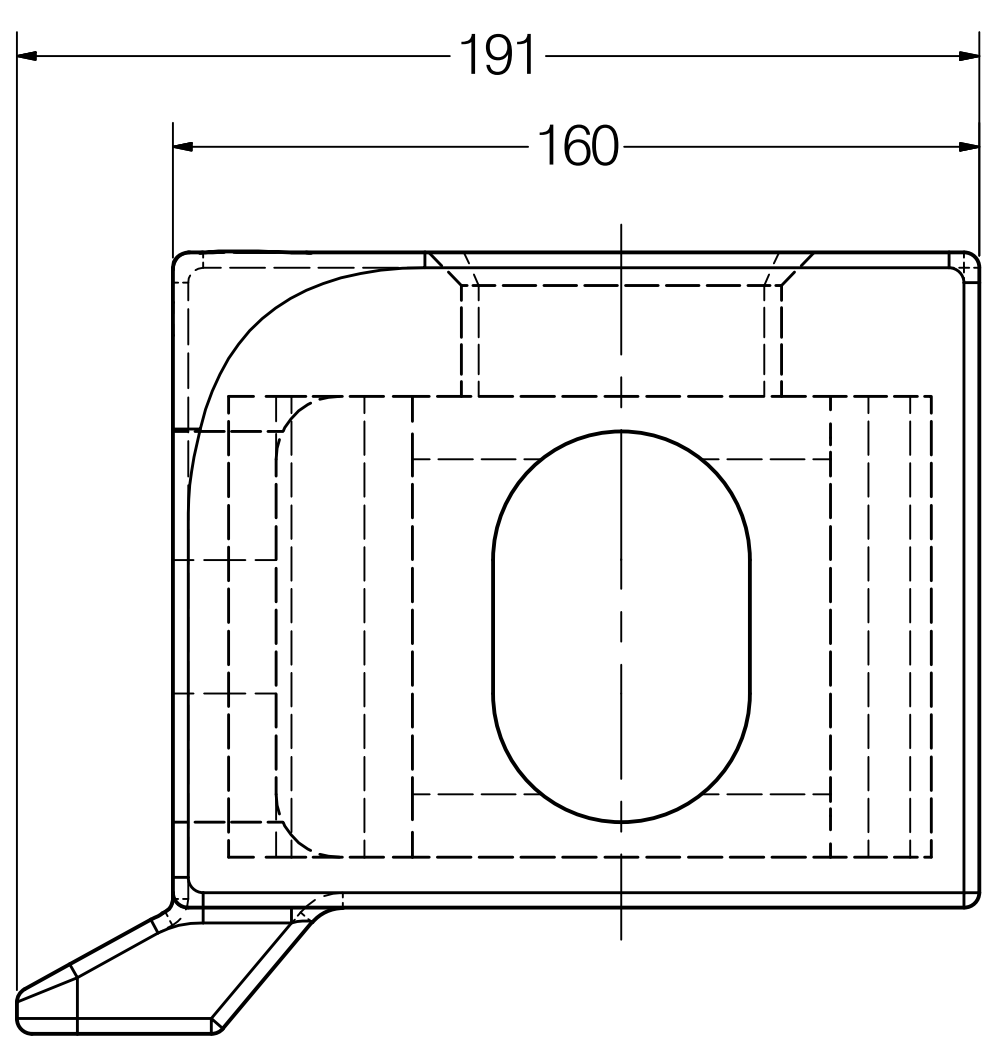
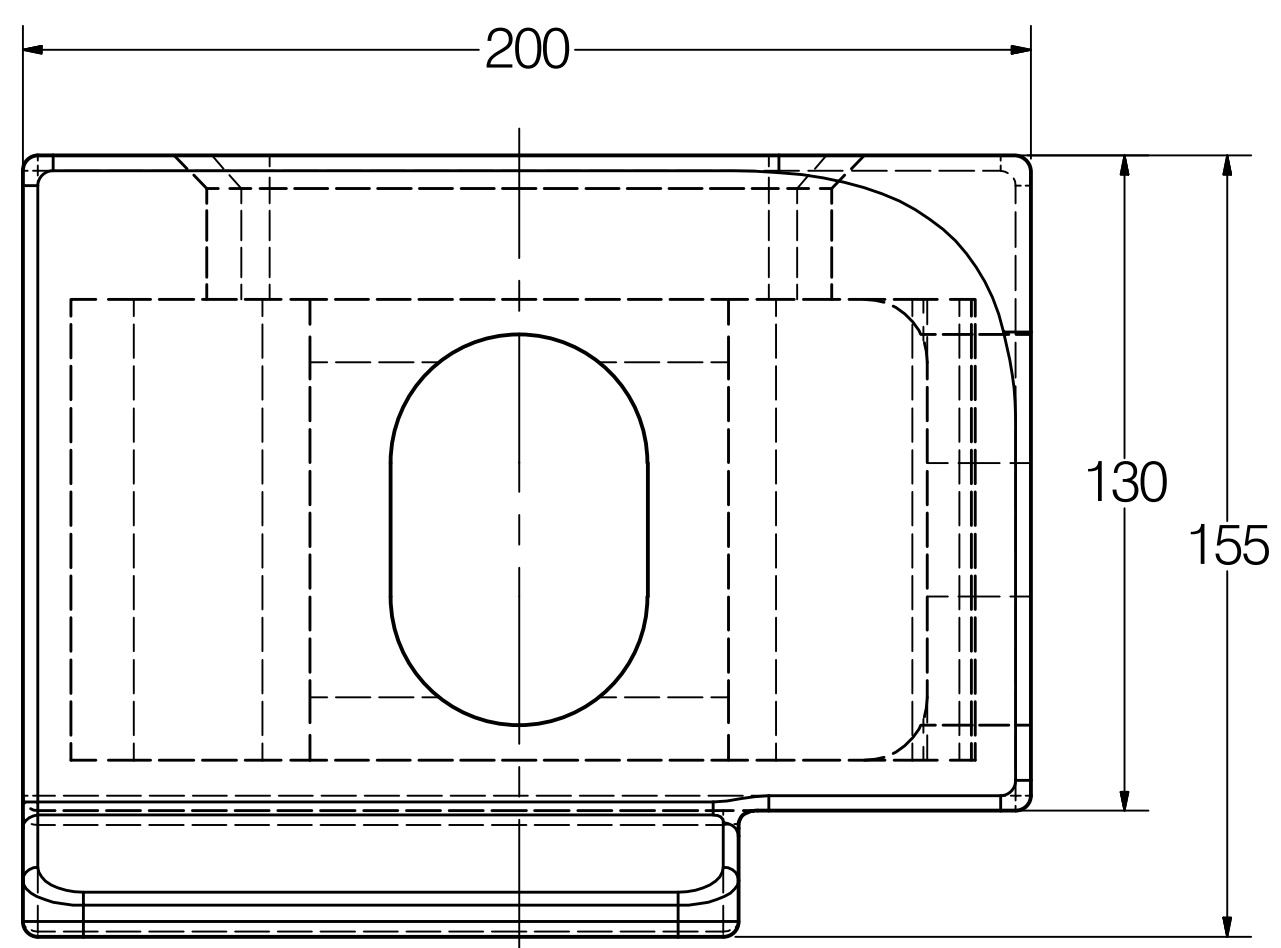
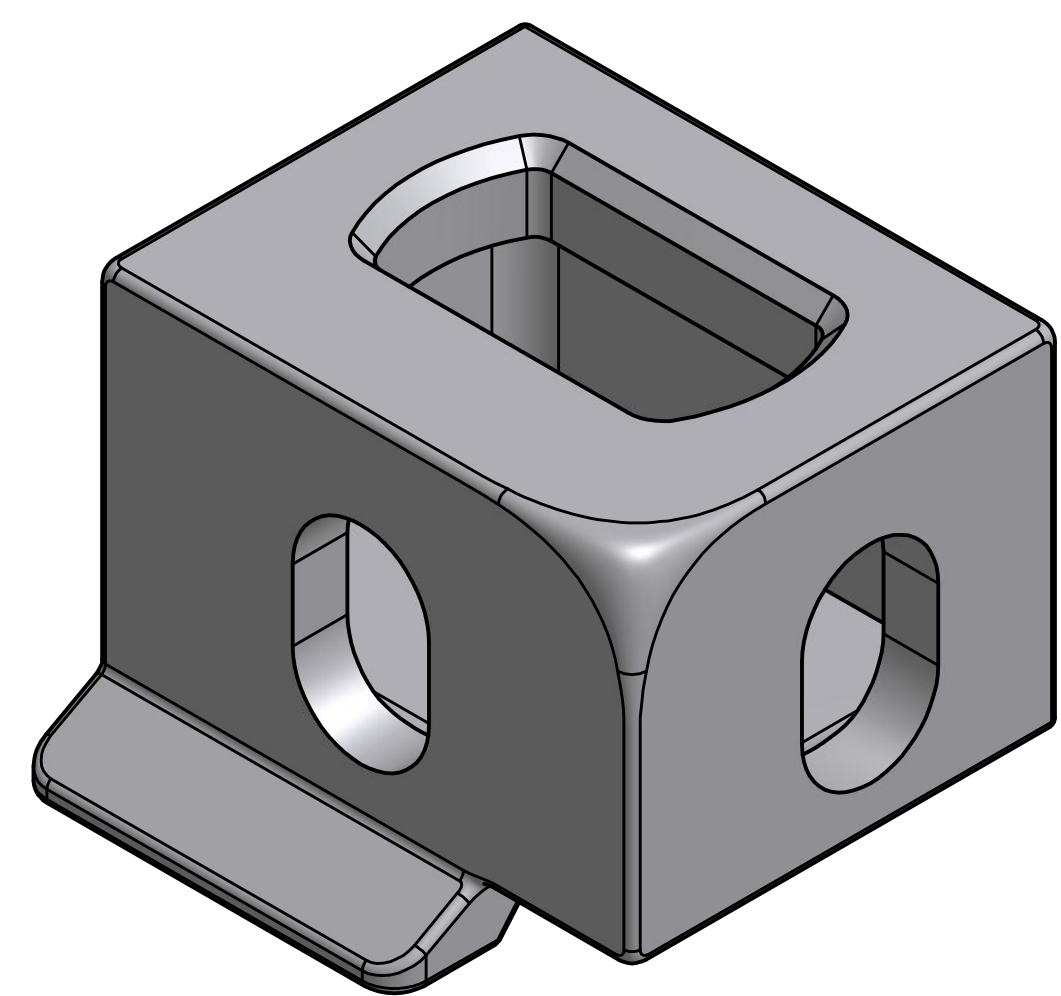
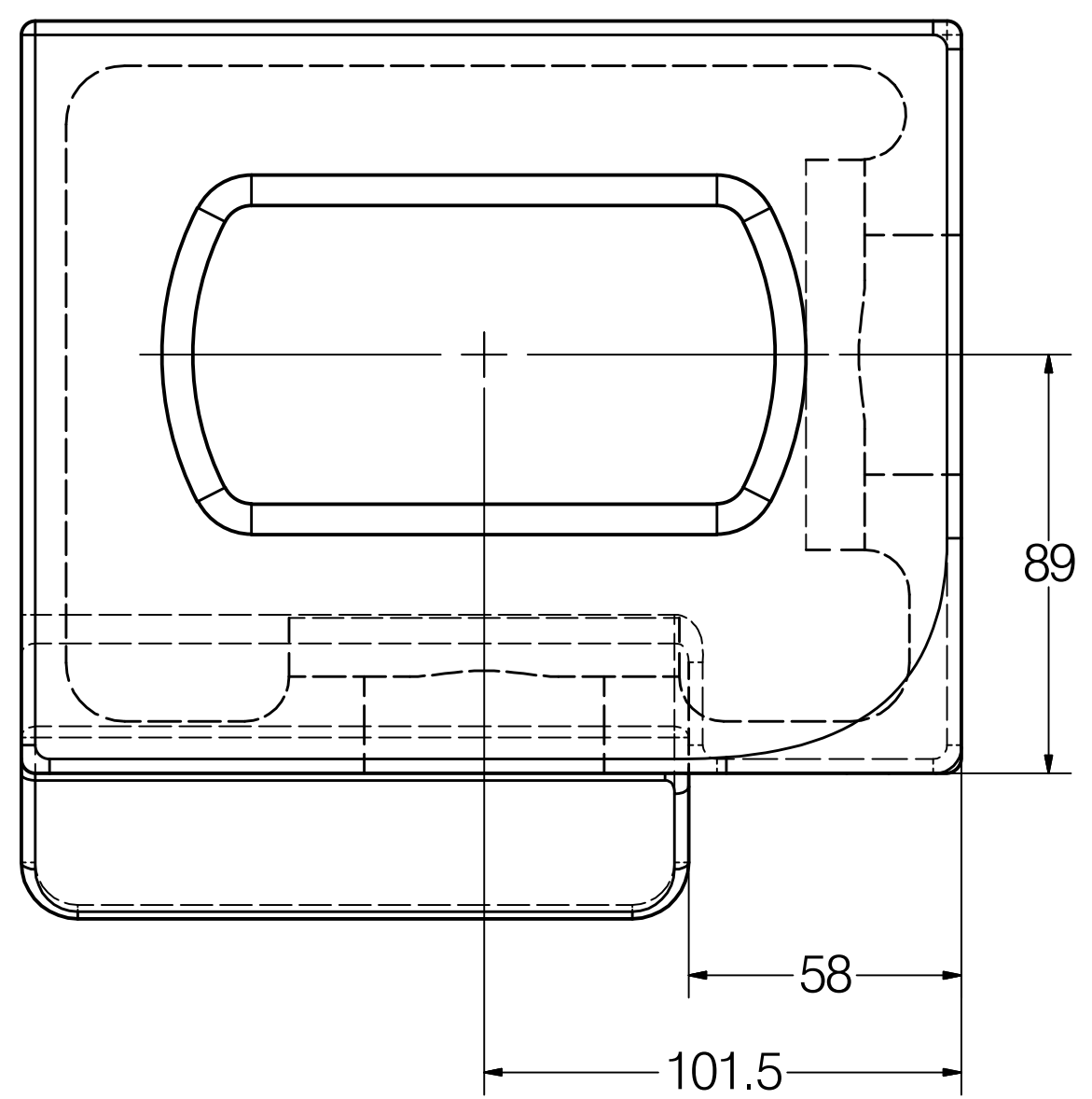


DCN.	ECN.	ECR	LOCATION	REV	BY	DATE	REMARKS
-	-	-	-	-	-	-	-



RH SHOWN (LH OPPOSITE)

CC	FEATURES LABELED AS SUCH SHALL REQUIRE STATISTICAL PROCESS CONTROL
SC	FEATURES LABELED AS SUCH REQUIRE REFERENCE TO A CONTROL PLAN

SHEET 1 OF 1	INITIALS JMB	DR.	CK.	ENGR.	MFG.	QUAL.	MATL.
DATE 3/29/2011							
COUNTRY OF ORIGIN	3RD ANGLE PROJECTION	DO NOT SCALE		KRISRY INTERNATIONAL, INC. 1000 N. Rand Rd. Suite 117 Wauconda, IL 60084 (847) 487-4907			
UNITS MILLIMETERS		PLOT SCALE 1:1	This drawing is the property of Krisry International Inc. It is furnished to you for confidential information purposes only. It is not to be disclosed to anyone else, reproduced, or used for manufacturing purposes without the express written permission of Krisry International Inc..				
GEOMETRIC TOLERANCE SYMBOLS		DRAWING TITLE EUROPEAN OVERLAND CORNER					
<ul style="list-style-type: none"> <li>⊙ CONCENTRICITY</li> <li>≡ SYMMETRICAL</li> <li>// PARALLELISM</li> <li>⊥ FLATNESS</li> <li>Ⓞ MOST MATERIAL CONDITION</li> <li>Ⓜ PROFILE OF A SURFACE</li> <li>Ⓟ LEAST MATERIAL CONDITION</li> <li>Ⓠ REGARDLESS OF FEATURE SIZE</li> </ul>	<ul style="list-style-type: none"> <li>⊕ POSITION</li> <li>⊙ CIRCULARITY</li> <li>⊘ CYLINDRICITY</li> <li>⊘ TOTAL RUNOUT</li> <li>⊘ PROFILE OF A LINE</li> <li>⊘ BASIC DIMENSION</li> <li>⊘ DATUM</li> </ul>	<ul style="list-style-type: none"> <li>⊥ PERPENDICULARITY</li> <li>— STRAIGHTNESS</li> <li>∠ ANGULARITY</li> <li>⊘ CIRCULAR RUNOUT</li> </ul>		DRAWING NUMBER BLR1013			
PATH				REV		DWG SIZE C	