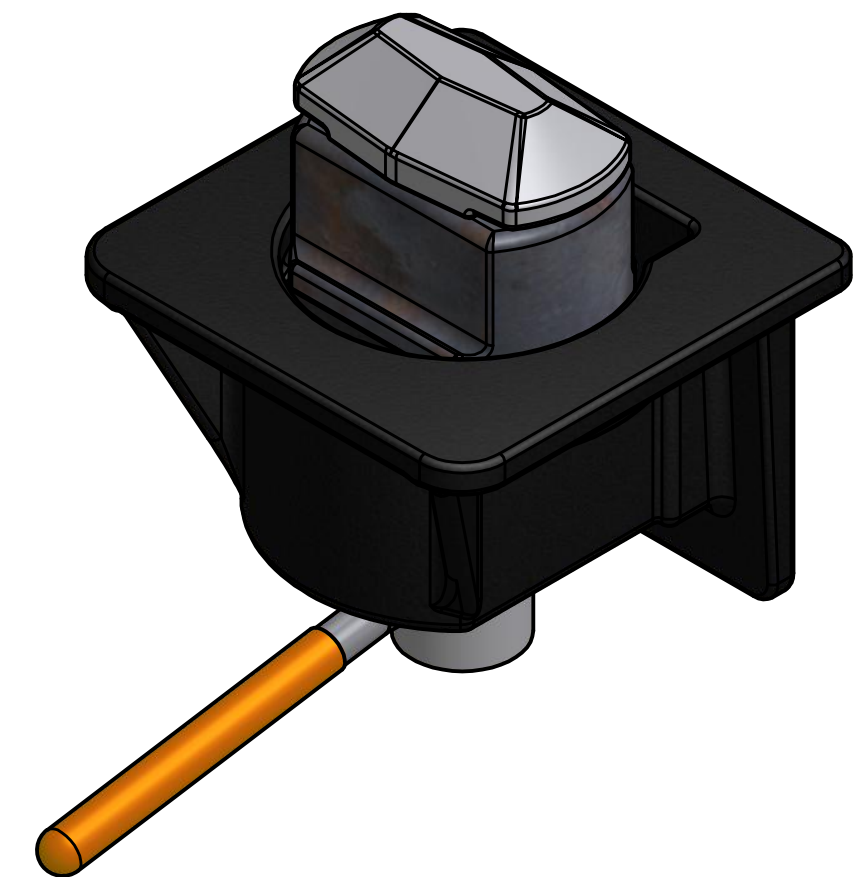
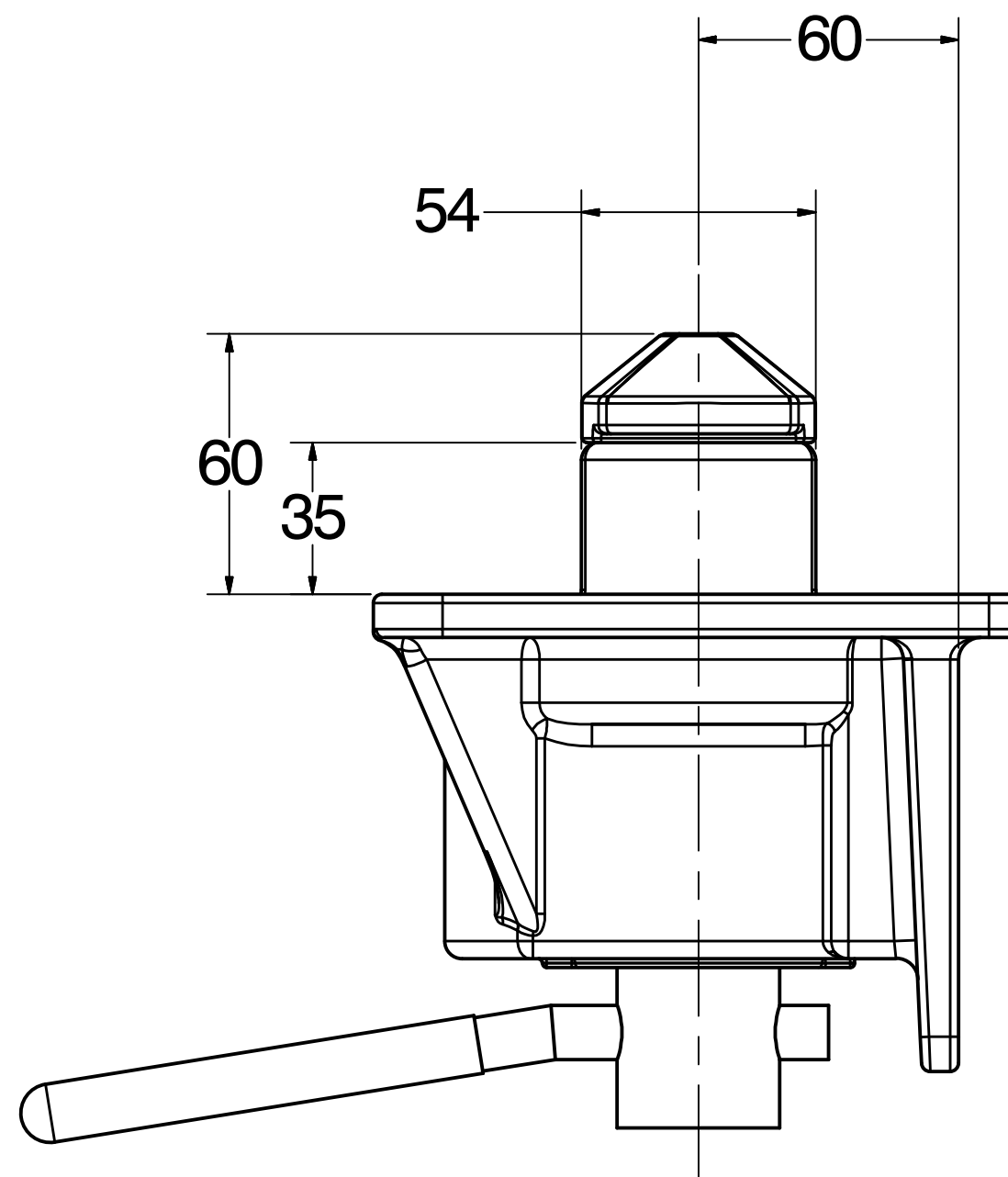
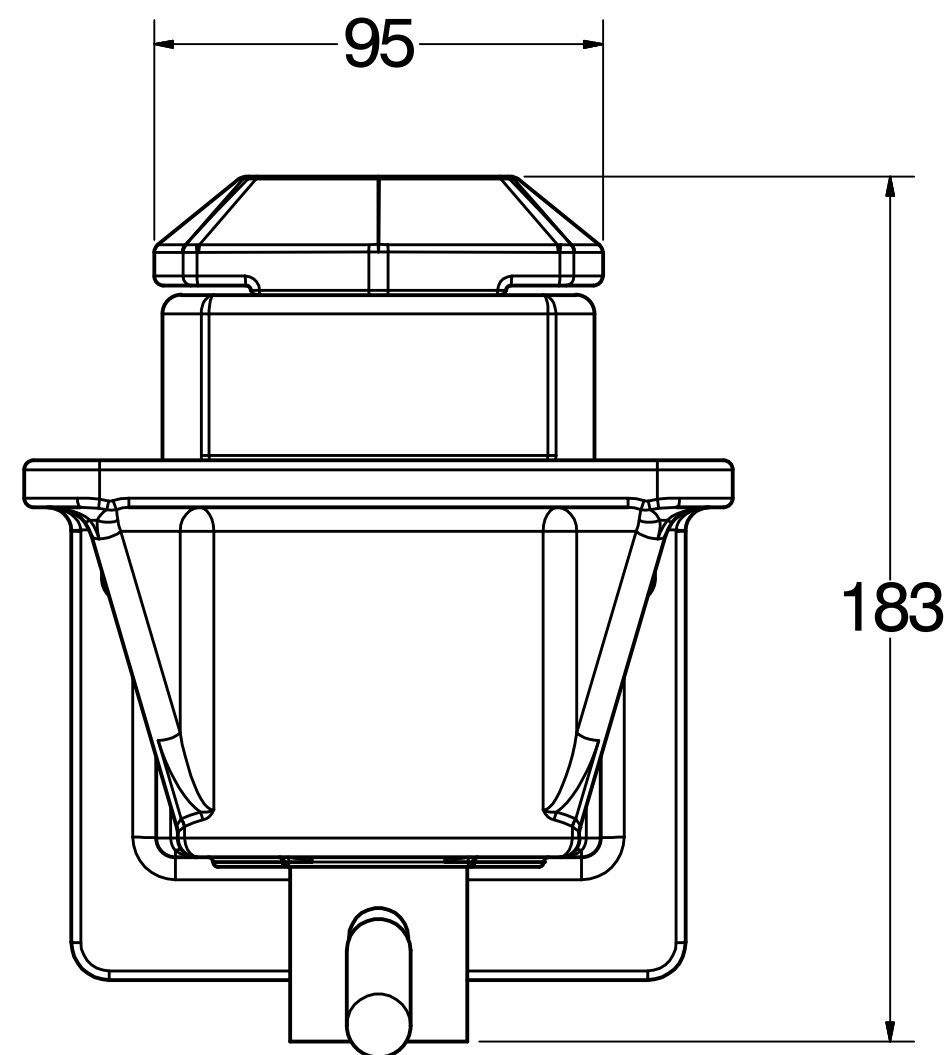
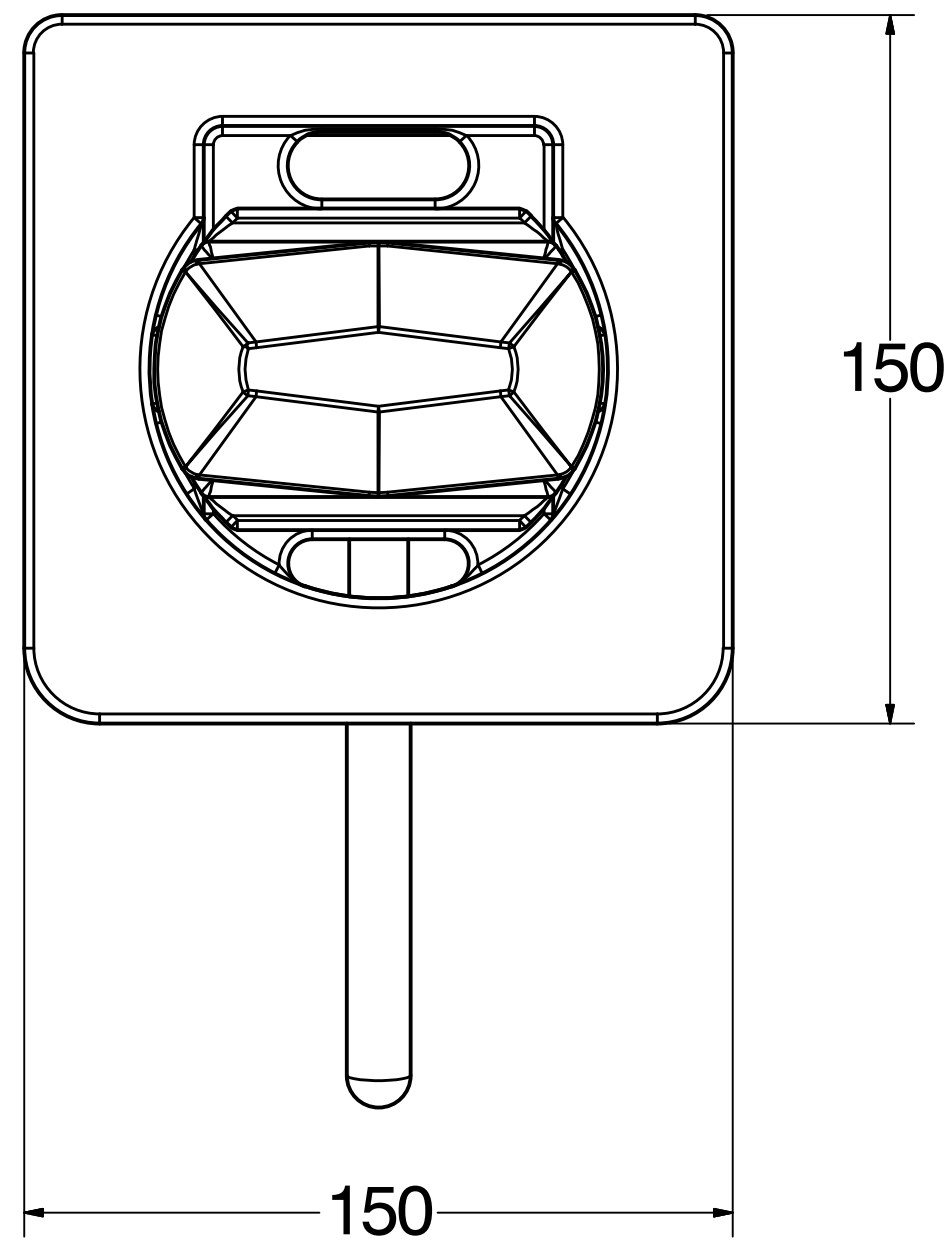




DCN. ECN. ECR	LOCATION	REV	BY	DATE	REMARKS
-	-	-	CHK	-	REMARKS



CC	FEATURES LABELED AS SUCH SHALL REQUIRE STATISTICAL PROCESS CONTROL
SC	FEATURES LABELED AS SUCH REQUIRE REFERENCE TO A CONTROL PLAN

SHEET	INITIALS	DR.	JMB	CK.	-	ENGR.	-	MFG.	-	QUAL.	-	MATL.	-
1 OF 1	DATE	09/15/10											
COUNTRY OF ORIGIN	3RD ANGLE		DO NOT SCALE		 KRISRY INTERNATIONAL INC. (847) 487-4907 - phone 1000 N. Rand Road, Suite 117 Wauconda, Illinois 60084								
UNITS	 PROJECTION		PLOT SCALE 1:1 DRAWING SCALE NTS										
MILLIMETERS	<b>GEOMETRIC TOLERANCE SYMBOLS</b> CONCENTRICITY    POSITION    PERPENDICULARITY SYMMETRICAL    CIRCULARITY    STRAIGHTNESS PARALLELISM    CIRCULARITY    ANGULARITY FLATNESS    TOTAL RUNOUT    CIRCULAR RUNOUT MOST MATERIAL CONDITION    PROFILE OF A LINE PROFILE OF A SURFACE    BASIC DIMENSION LEAST MATERIAL CONDITION    DATUM REGARDLESS OF FEATURE SIZE												
This drawing is the property of Krisry International Inc. It is furnished to you for confidential information purposes only. It is not to be disclosed to anyone else, reproduced, or used for manufacturing purposes without the express written permission of Krisry International Inc.													
DRAWING TITLE											REV		
TWSTLOCK ASSEMBLY													
DRAWING NUMBER											DWG SIZE		
BLR151/2											C		