

WELD SEAL DOOR HINGE **Type BLR 500**

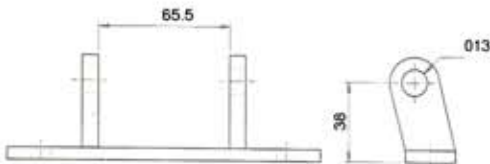
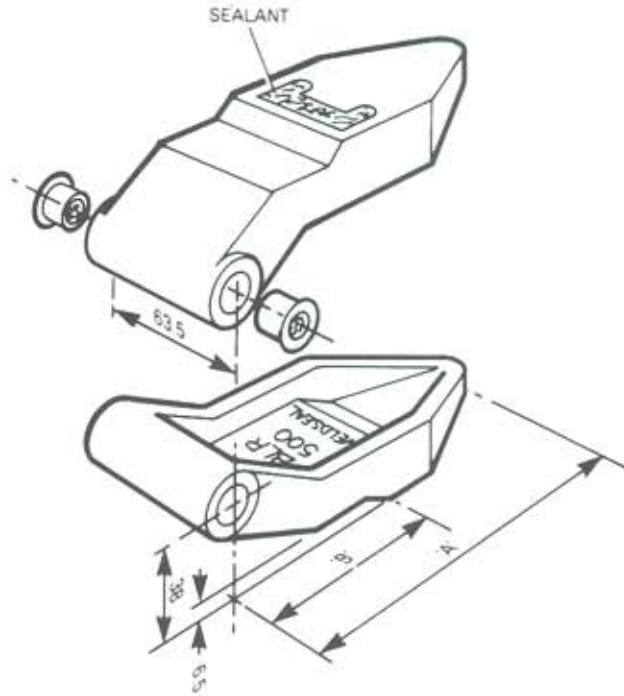
- Container Door Hinge complete with heat-reacting sealant.
- Automatically seals well known container door corrosion trap behind the hinge.
- Sealant expands up to 100% during welding.
- Self lubricating nylon bushes, gives smooth door operation.
- Available in self colour, galvanised and electroplate surface finish.
- Mounting brackets and stainless steel hinge pin can be supplied extra.
- Worldwide patents.



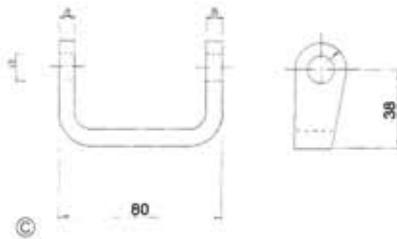
WELD SEAL DOOR HINGE Type BLR 500

TECHNICAL INFORMATION

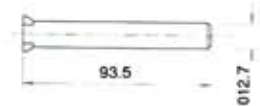
Model	DIM A	DIM B
BLR 500/111	111	57
BLR 500/103ER	130	72
BLR 500/150ER	150	90
BLR 500/150S	150	20



BLR 981 Hinge Bracket



BLR 882 Hinge Bracket



BLR 982 Stainless Steel
Hinge Pin