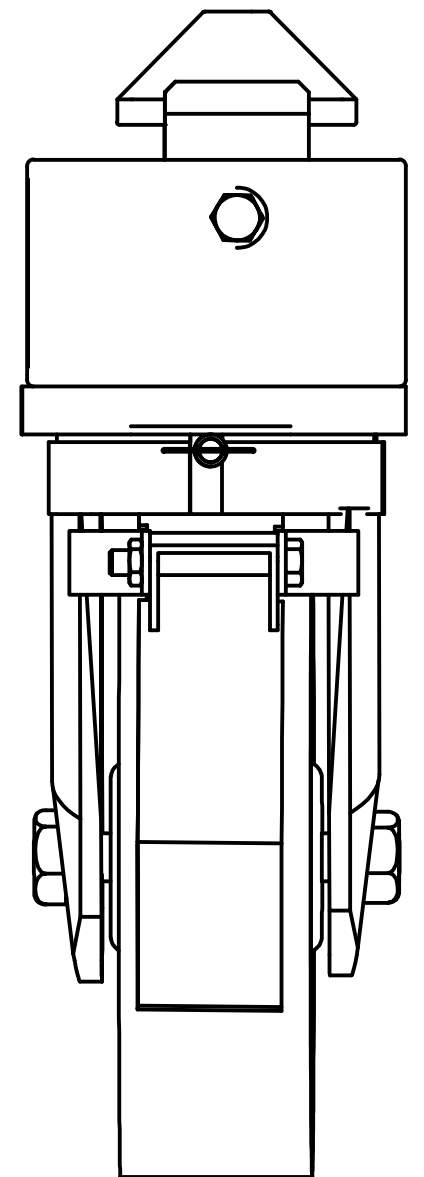
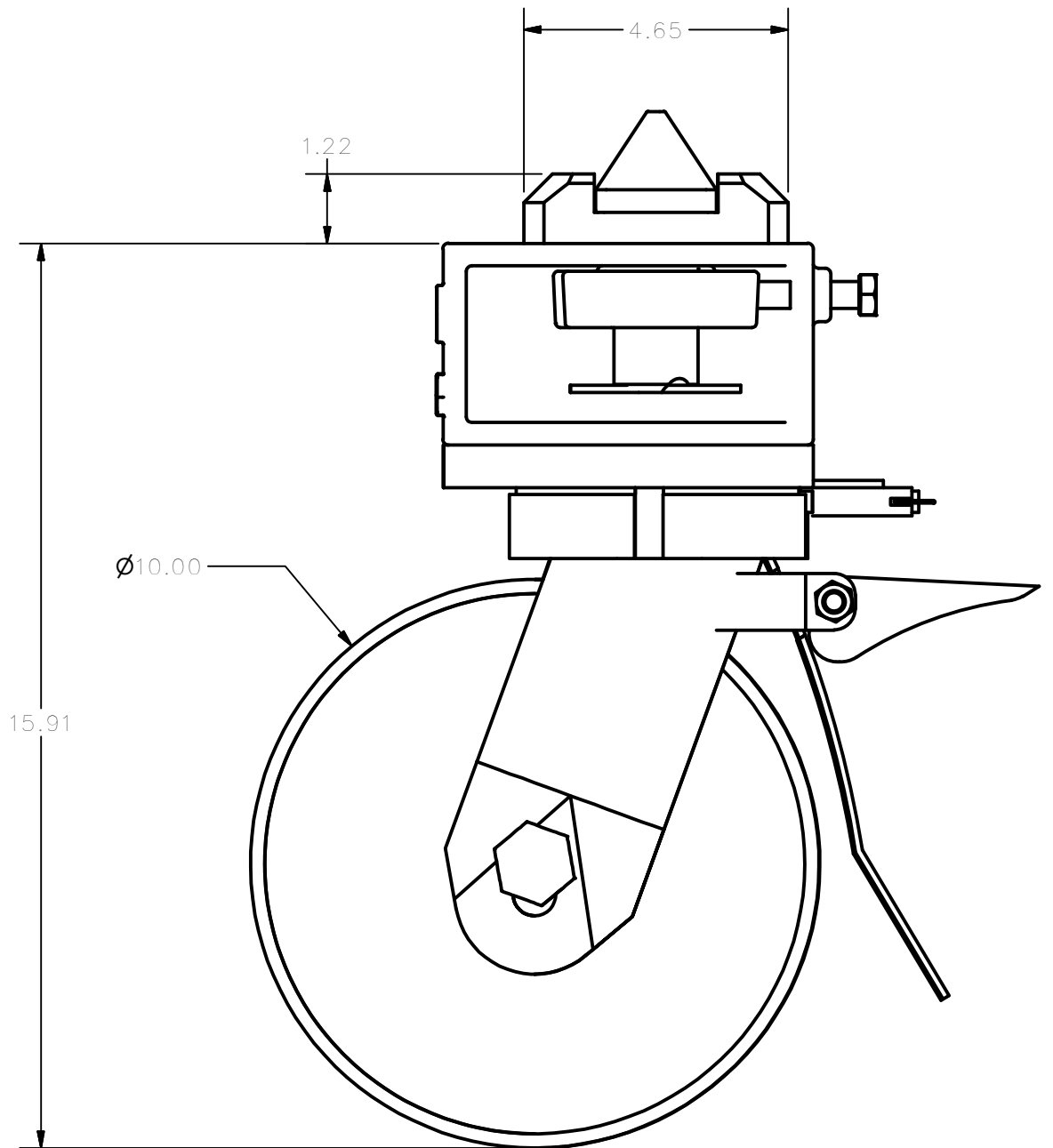
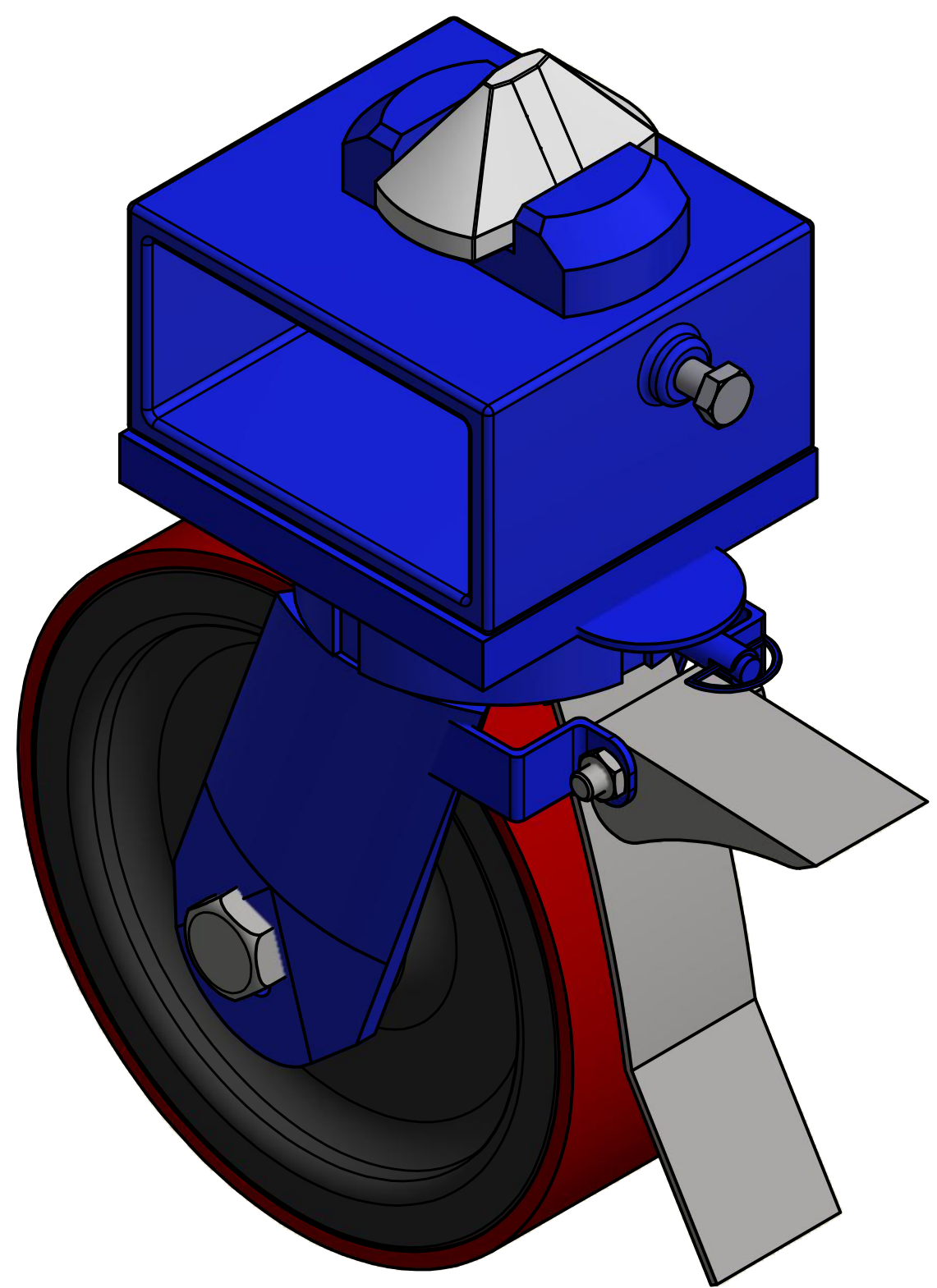
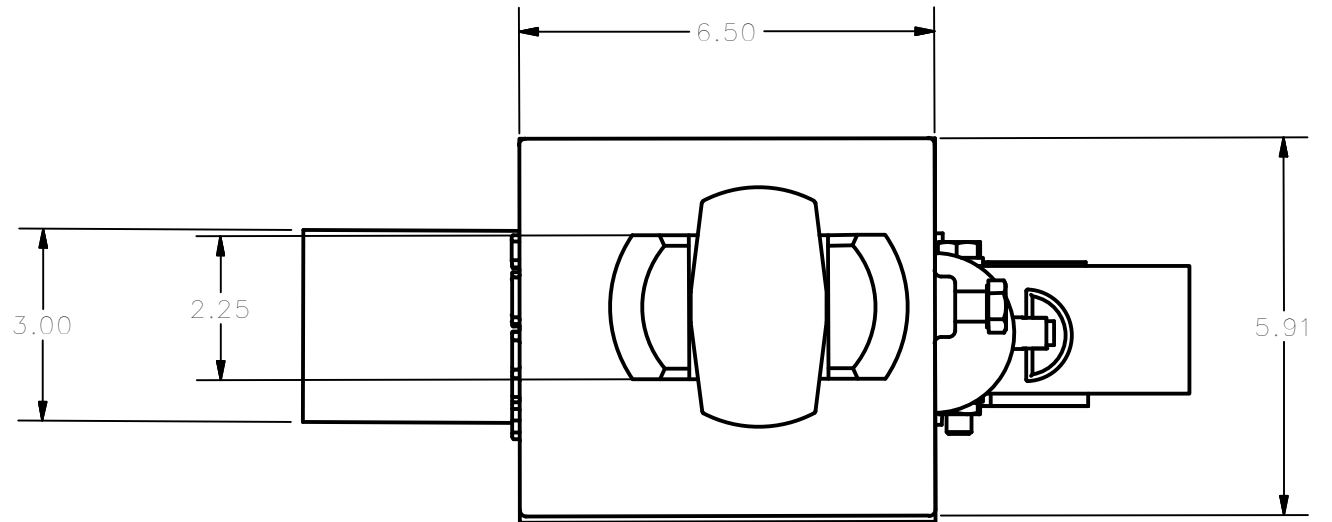


PCN, ECN, ECR	LOCATION	REV	BY	DATE	REMARKS
—	—	—	CHK	—	REMARKS



CC	FEATURES LABELED AS SUCH SHALL REQUIRE STATISTICAL PROCESS CONTROL
SC	FEATURES LABELED AS SUCH REQUIRE REFERENCE TO A CONTROL PLAN

SHEET	INITIALS	DR.	EDC	CK.	—	ENGR.	—	MFG.	—	QUAL.	—	MATL.	—	
1 of 1		DATE	6/12/2013											
COUNTRY OF ORIGIN		3RD ANGLE		DO NOT SCALE										
UNITS	MILLIMETERS	PROJECTION		PLOT SCALE	1:1									
		DRAWING SCALE	NTS											
<b>GEOMETRIC TOLERANCE SYMBOLS</b> 												This drawing is the property of Krisry International Inc. It is furnished to you for confidential information purposes only. It is not to be disclosed to anyone else, reproduced, or used for manufacturing purposes without the express written permission of Krisry International Inc.		
DRAWING TITLE												KRY3000	REV	
DRAWING NUMBER													DWG SIZE	C



KRISRY INTERNATIONAL, INC.  
(817) 487-4907 - phone  
1000 N. Rand Road, Suite 117  
Wauconda, Illinois 60084