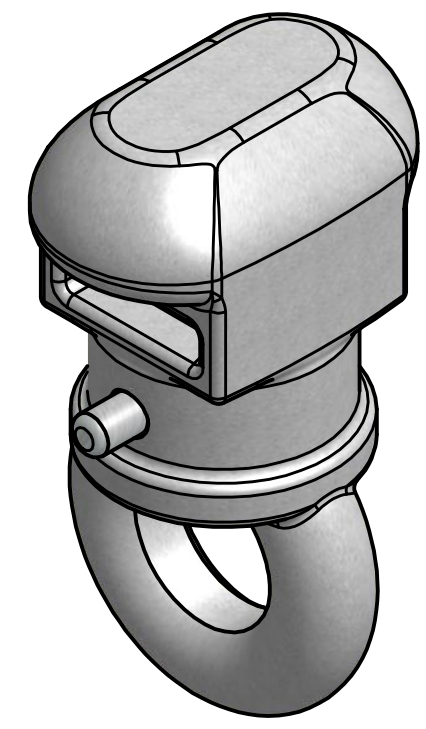
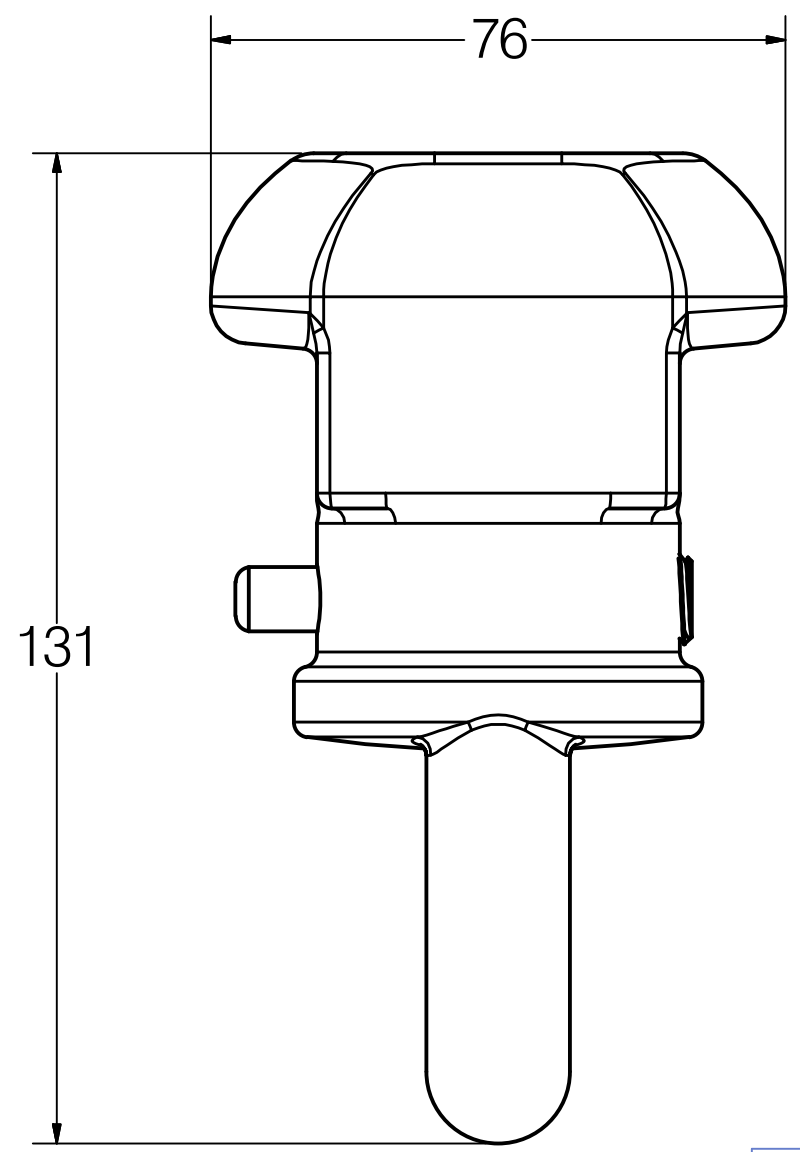
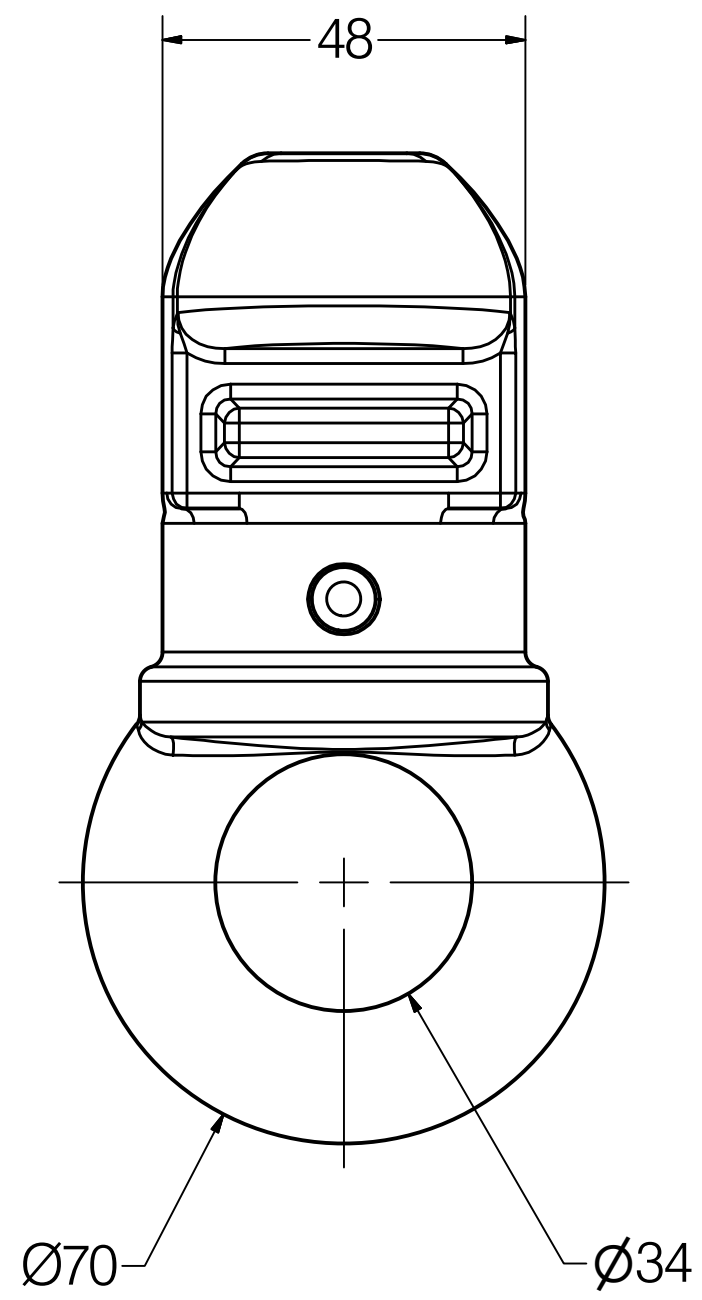


5		6		7		8	
DCN, ECN, ECR	LOCATION	REV	BY	DATE	REMARKS		
-	-	-	CHK	DATE			



CC	FEATURES LABELED AS SUCH SHALL REQUIRE STATISTICAL PROCESS CONTROL
SC	FEATURES LABELED AS SUCH REQUIRE REFERENCE TO A CONTROL PLAN

SHEET 1 OF 1	INITIALS JMB	DR.	CK.	ENGR.	MFG.	QUAL.	MATL.
	DATE 12/23/2010						
COUNTRY OF ORIGIN	3RD ANGLE 	DO NOT SCALE	KRISRY INTERNATIONAL, INC. 1000 N. Rand Rd. Suite 117 Wauconda, IL 60084 (847) 487-4907				
UNITS MILLIMETERS	PROJECTION	PLOT SCALE 1:1 DRAWING SCALE NTS					
GEOMETRIC TOLERANCE SYMBOLS ◎ CONCENTRICITY ⊕ POSITION ⊥ PERPENDICULARITY ≡ SYMMETRICAL ○ CIRCULARITY — STRAIGHTNESS // PARALLELISM ∅ CYLINDRICITY ∠ ANGULARITY / / FLATNESS TOTAL RUNOUT CIRCULAR RUNOUT ⊕ MOST MATERIAL CONDITION ○ PROFILE OF A LINE △ PROFILE OF A SURFACE BASIC DIMENSION ⊖ LEAST MATERIAL CONDITION DATUM Ⓢ REGARDLESS OF FEATURE SIZE			This drawing is the property of Krisry International. It is furnished to you for confidential information purposes only. It is not to be disclosed to anyone else, reproduced, or used for manufacturing purposes without the express written permission of Krisry International.			REV	
DRAWING TITLE			END APERTURE PULL LUG				
DRAWING NUMBER			KRY6370			DWG SIZE B	
PATH							