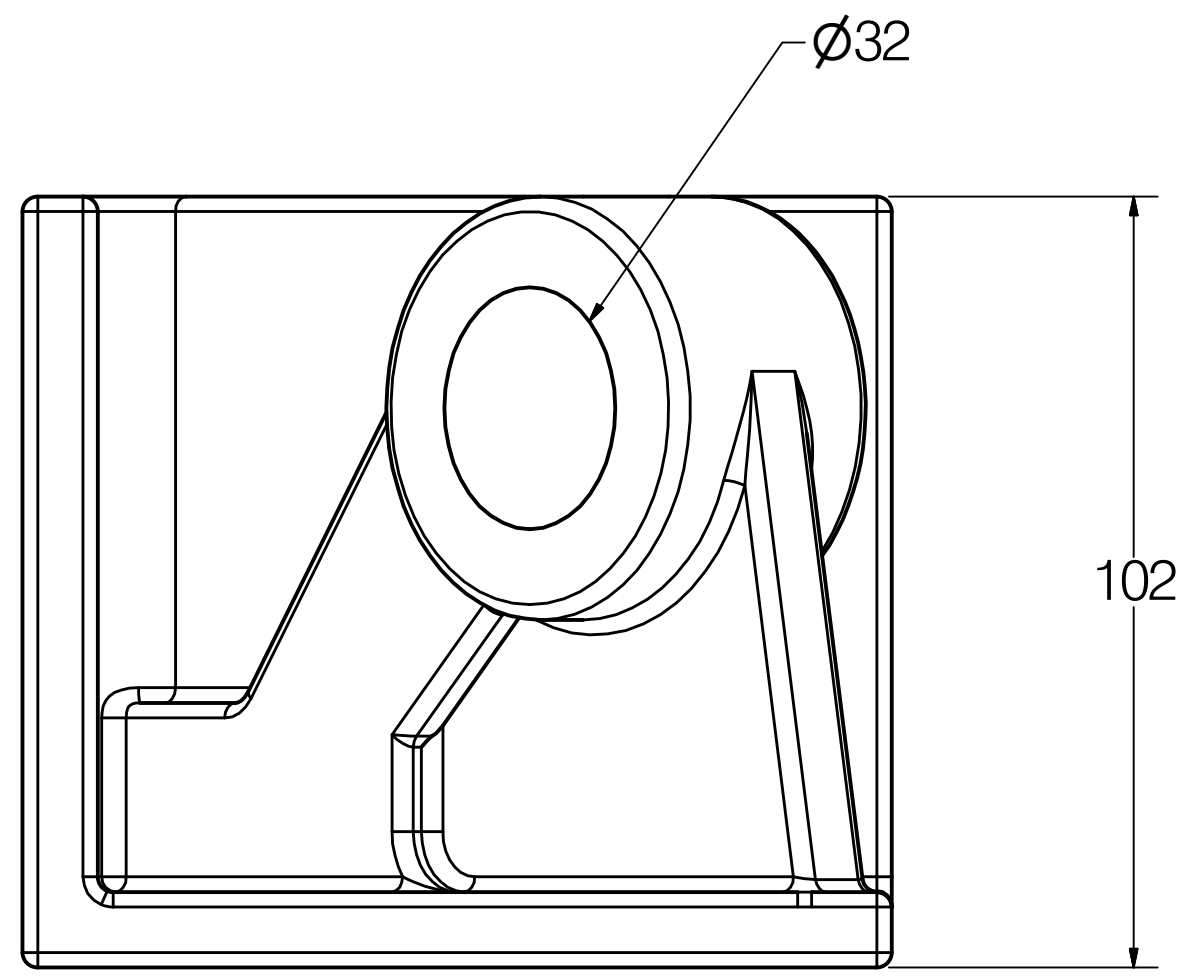
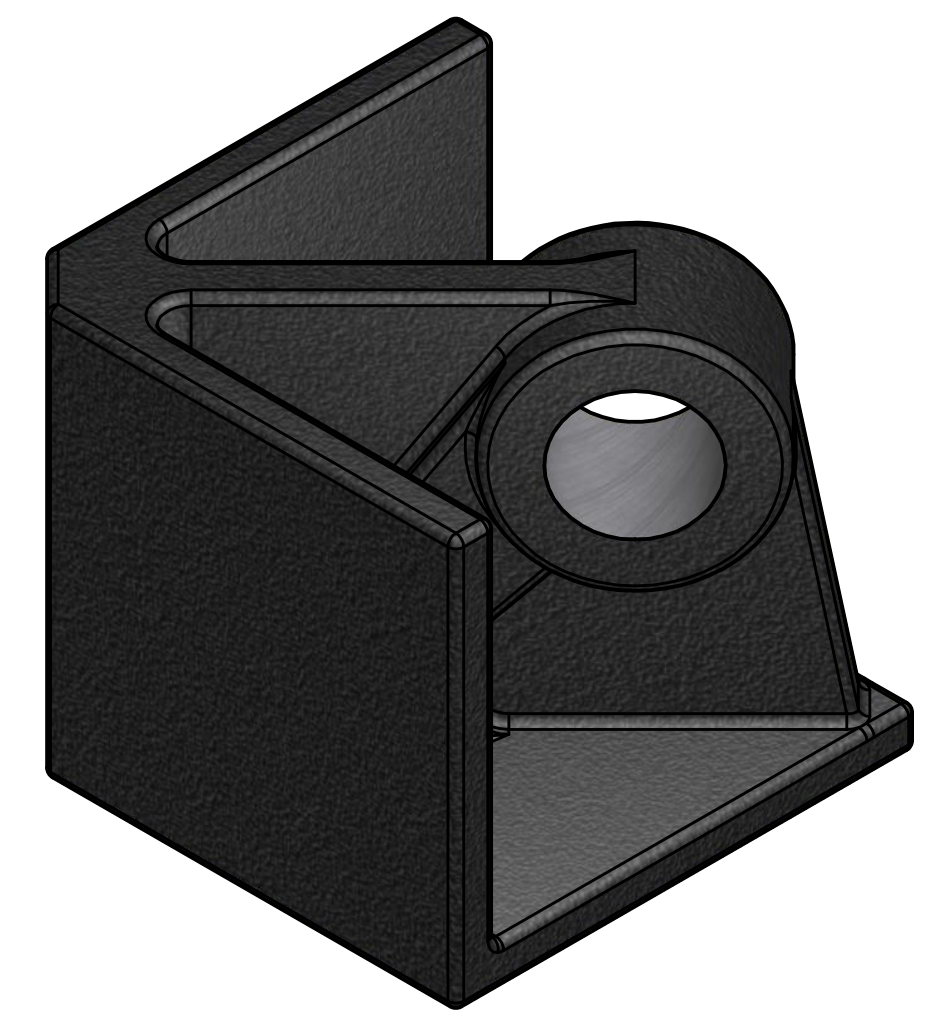
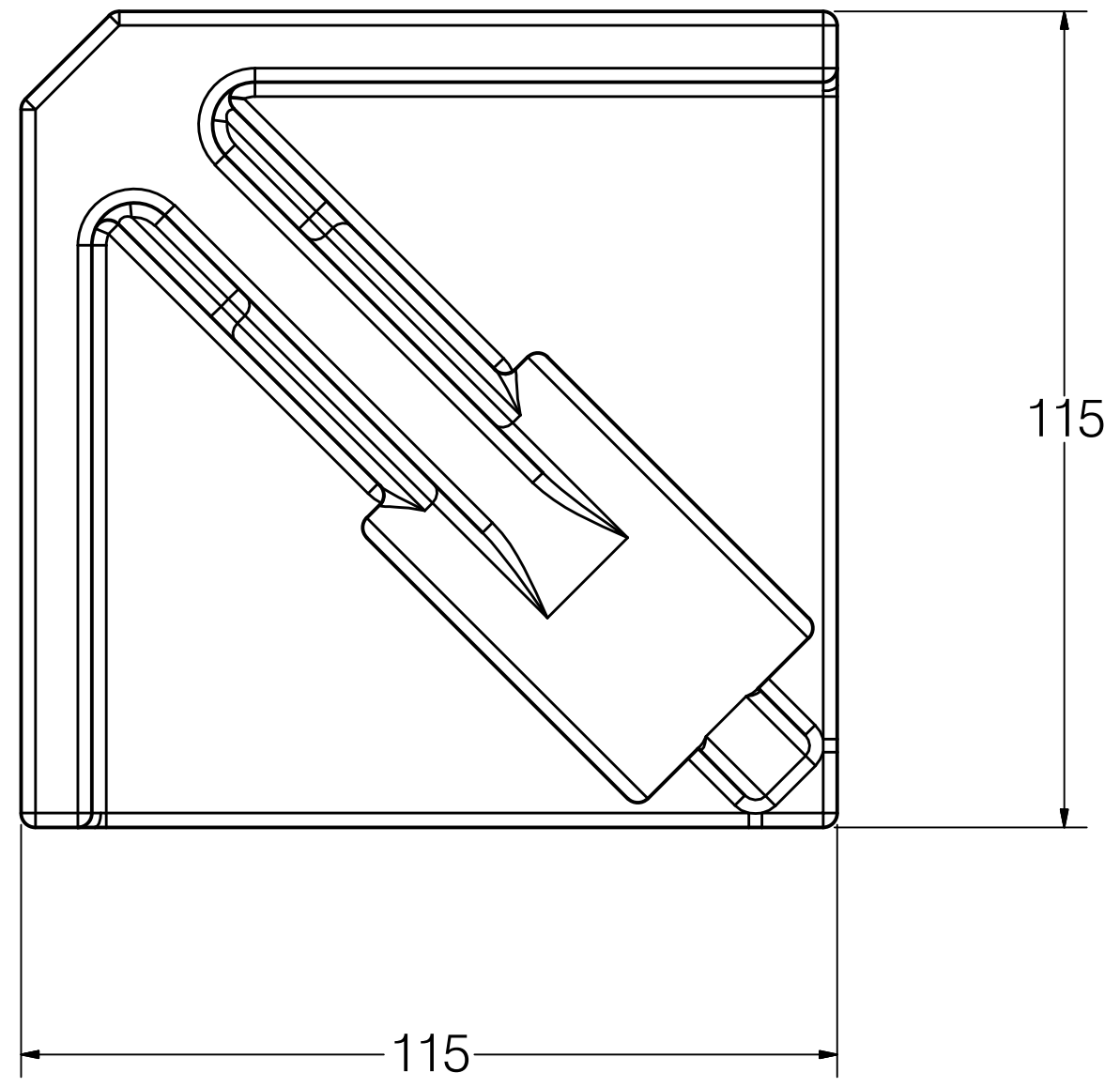


DCN. EGN. ECR	LOCATION	REV	BY	DATE	REMARKS
-	-	-	-	-	-



<input type="checkbox"/> CC	FEATURES LABELED AS SUCH SHALL REQUIRE STATISTICAL PROCESS CONTROL
<input type="checkbox"/> SC	FEATURES LABELED AS SUCH REQUIRE REFERENCE TO A CONTROL PLAN

SHEET 1 OF 1	INITIALS JMB	DR.	DATE 2/9/2011	CK.	ENGR.	MFG.	QUAL.	MATL.
COUNTRY OF ORIGIN	3RD ANGLE 	DO NOT SCALE		KRISRY INTERNATIONAL, INC. 1000 N. Rand Rd. Suite 117 Wauconda, IL 60084 (847) 487-4907				
UNITS MILLIMETERS	PROJECTION	PLOT SCALE 1:1 DRAWING SCALE NTS		This drawing is the property of Krisry International Inc. It is furnished to you for confidential information purposes only. It is not to be disclosed to anyone else, reproduced, or used for manufacturing purposes without the express written permission of Krisry International Inc..				
GEOMETRIC TOLERANCE SYMBOLS CONCENTRICITY POSITION SYMMETRICAL CIRCULARITY PARALLELISM CYLINDRICITY FLATNESS TOTAL RUNOUT MOST MATERIAL CONDITION CIRCULAR RUNOUT LEAST MATERIAL CONDITION PROFILE OF A LINE REGARDLESS OF FEATURE SIZE BASIC DIMENSION DATUM				DRAWING TITLE MINI BOX CORNER FITTING		REV		DWG SIZE C
PATH				DRAWING NUMBER BLR1073				