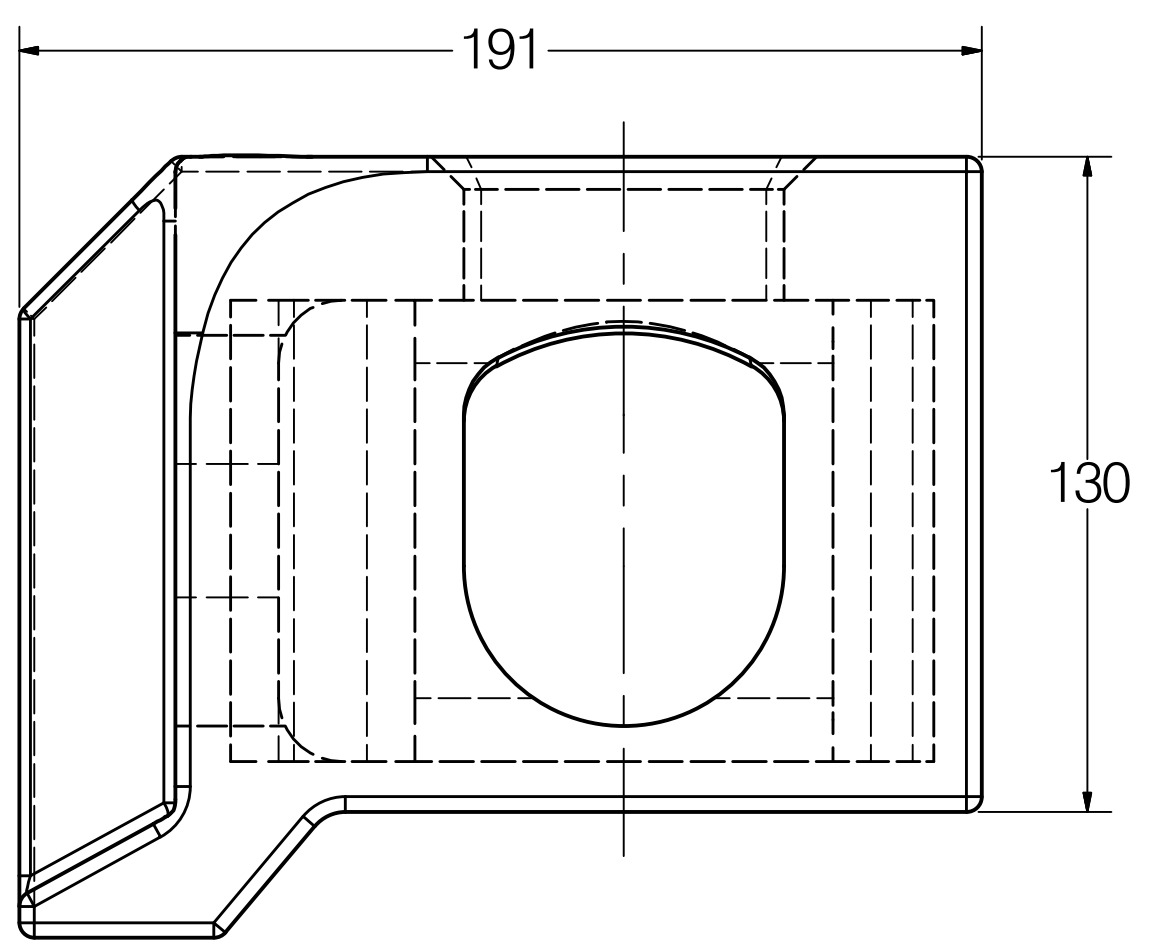
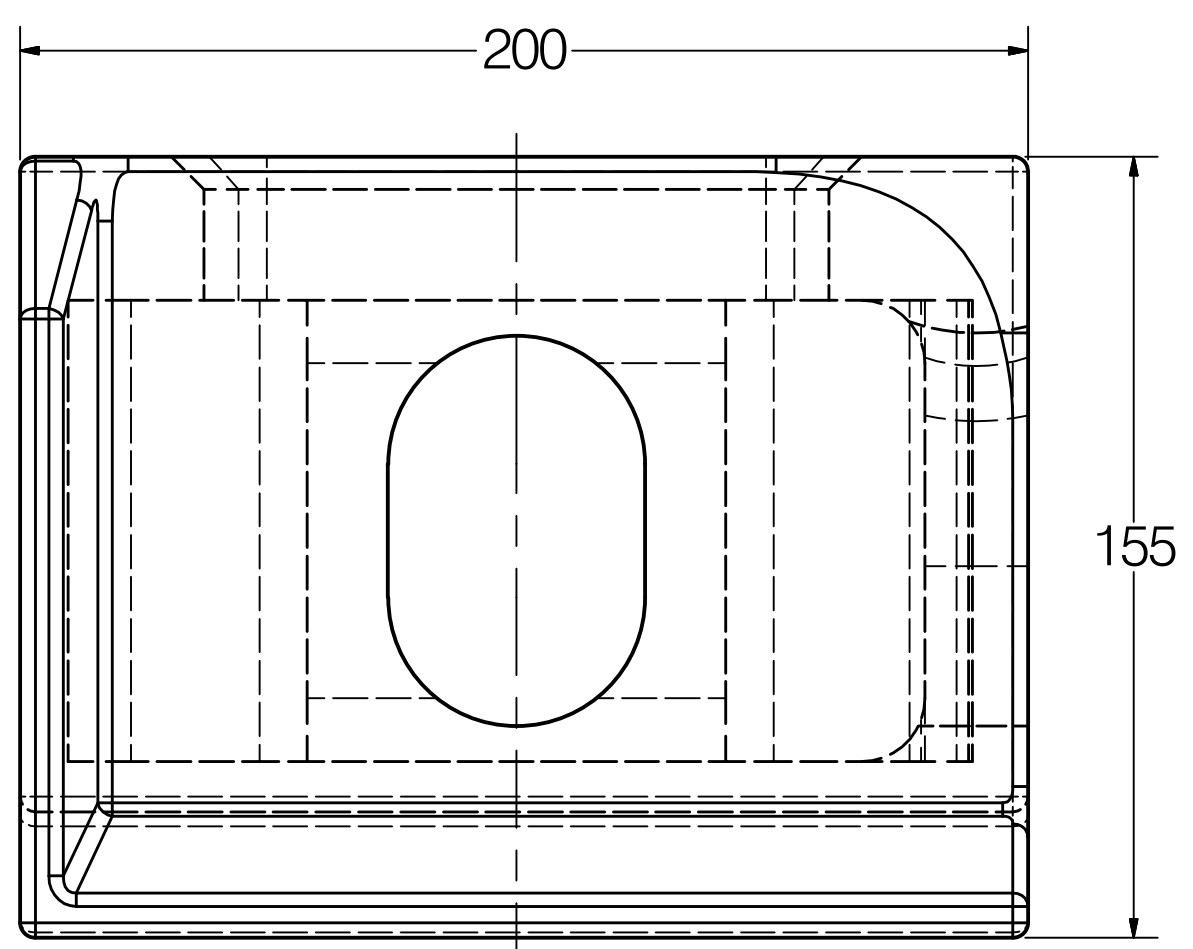
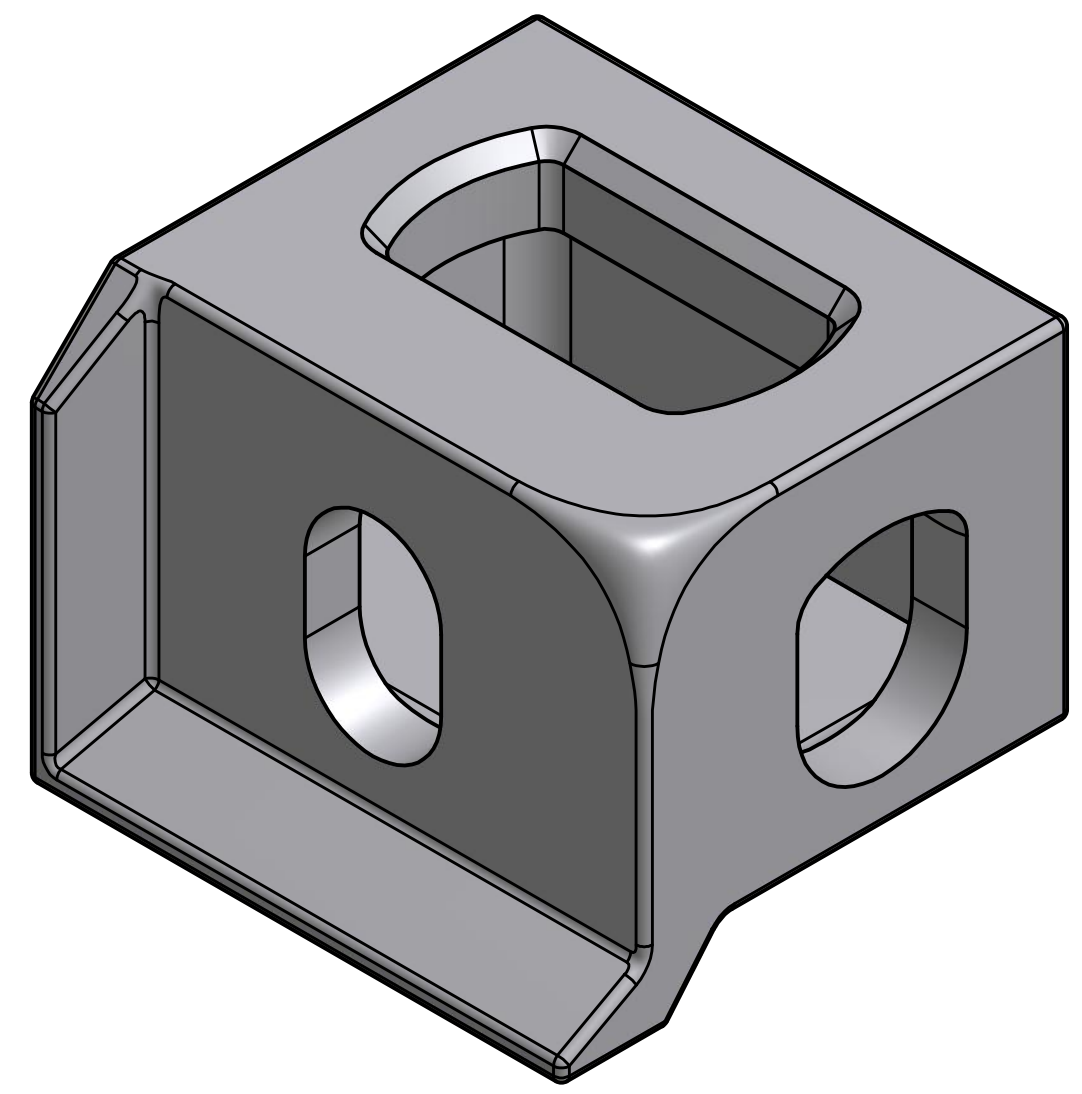
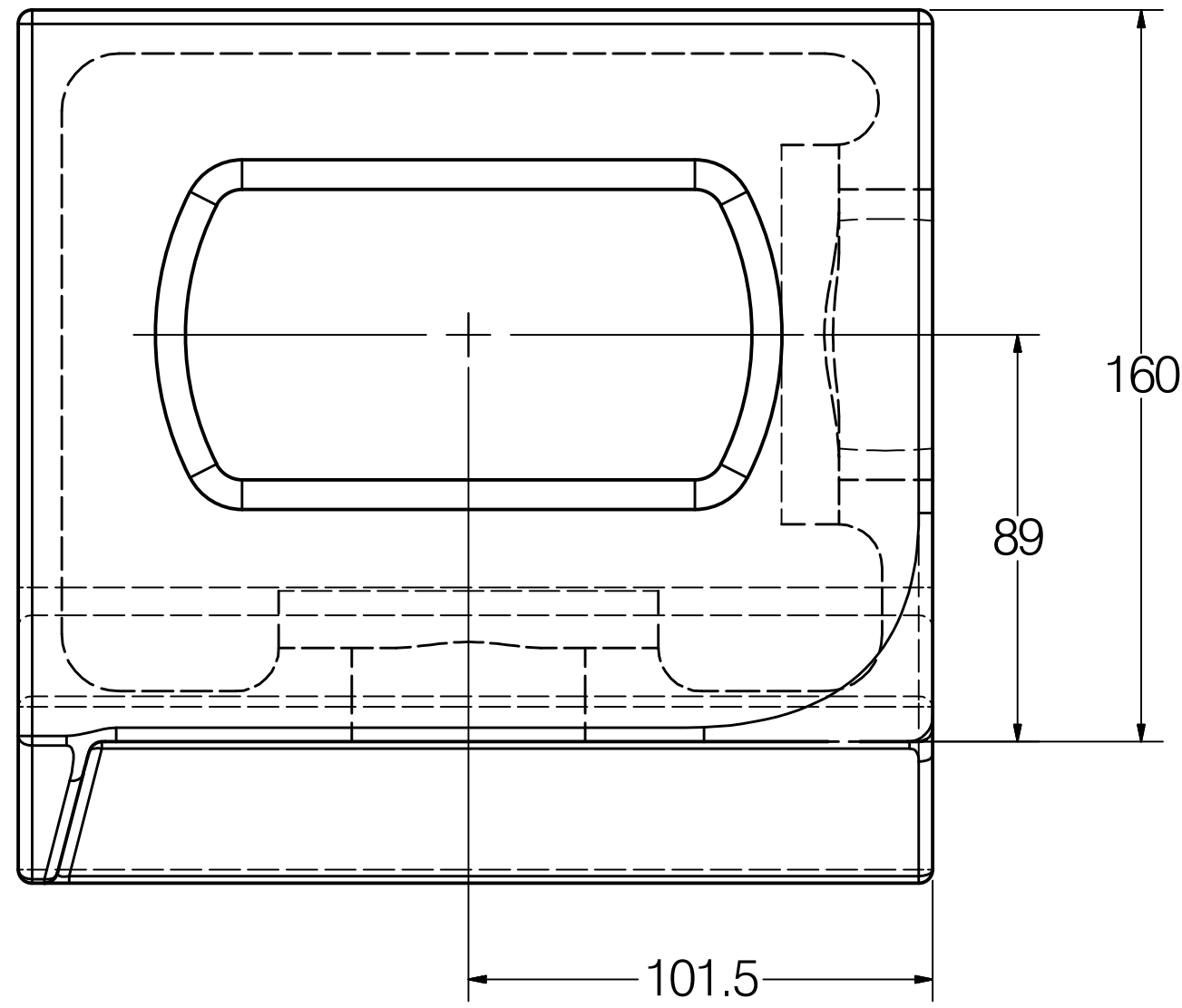



DCN.	ECN.	ECR	LOCATION	REV	BY	DATE	REMARKS
-	-	-	-	-	-	-	-



LH SHOWN (RH OPPOSITE)

CC	FEATURES LABELED AS SUCH SHALL REQUIRE STATISTICAL PROCESS CONTROL
SC	FEATURES LABELED AS SUCH REQUIRE REFERENCE TO A CONTROL PLAN

SHEET 1 OF 1	INITIALS JMB	DR.	DATE 3/28/2011	CK.	ENGR.	MFG.	QUAL.	MATL.
COUNTRY OF ORIGIN		3RD ANGLE PROJECTION		DO NOT SCALE PLOT SCALE 1:1 DRAWING SCALE NTS		 KRISRY INTERNATIONAL, INC. 1000 N. Rand Rd. Suite 117 Wauconda, IL 60084 (847) 487-4907		
UNITS MILLIMETERS		GEOMETRIC TOLERANCE SYMBOLS		PERPENDICULARITY		This drawing is the property of Krisry International Inc. It is furnished to you for confidential information purposes only. It is not to be disclosed to anyone else, reproduced, or used for manufacturing purposes without the express written permission of Krisry International Inc.		
		CONCENTRICITY SYMMETRICAL PARALLELISM FLATNESS MOST MATERIAL CONDITION PROFILE OF A SURFACE LEAST MATERIAL CONDITION REGARDLESS OF FEATURE SIZE		POSITION CIRCULARITY CYLINDRICITY TOTAL RUNOUT PROFILE OF A LINE BASIC DIMENSION DATUM		STRAIGHTNESS ANGULARITY CIRCULAR RUNOUT PROFILE OF A LINE		DRAWING TITLE EUROPEAN OVERLAND CORNER DRAWING NUMBER BLR541
PATH								REV 