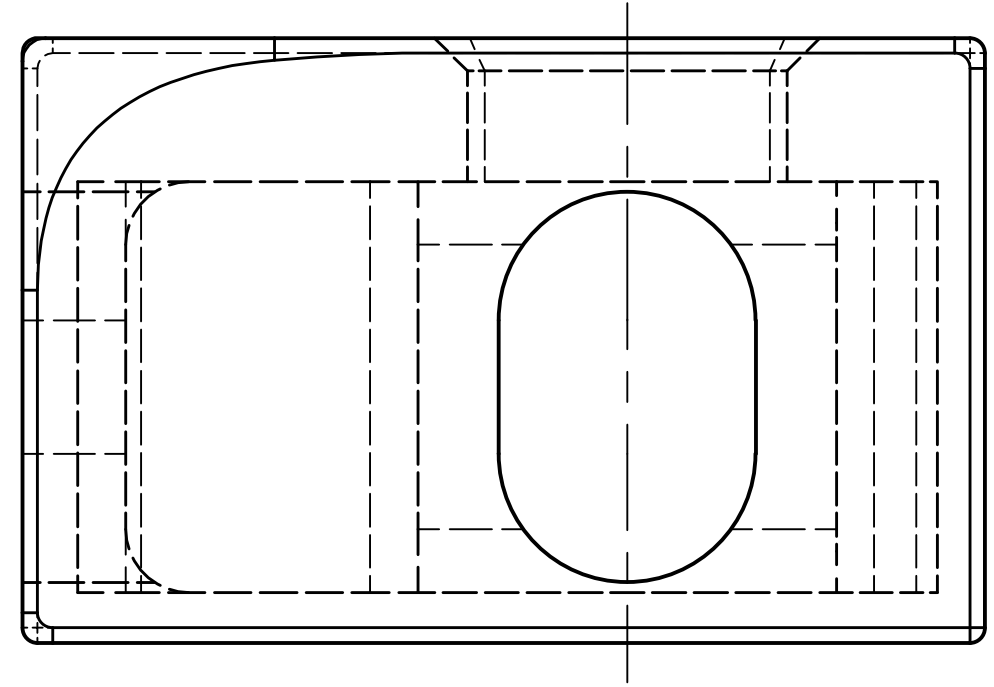
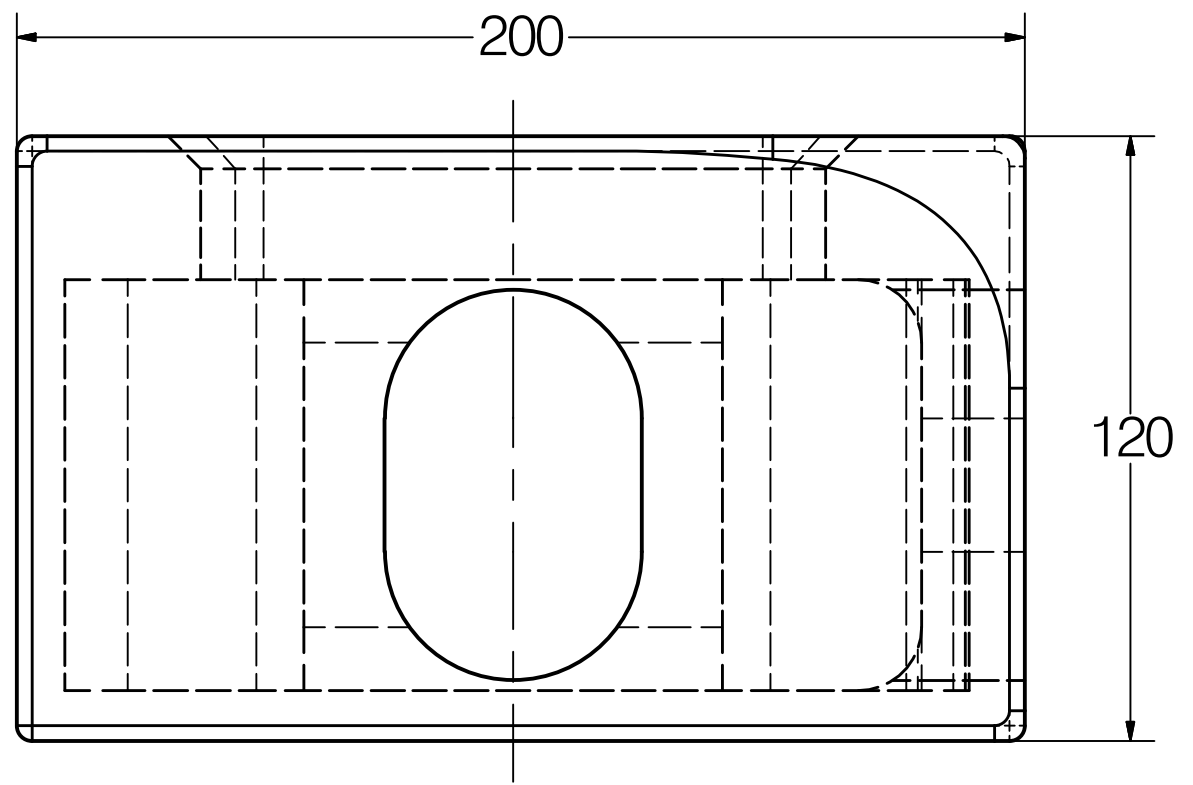
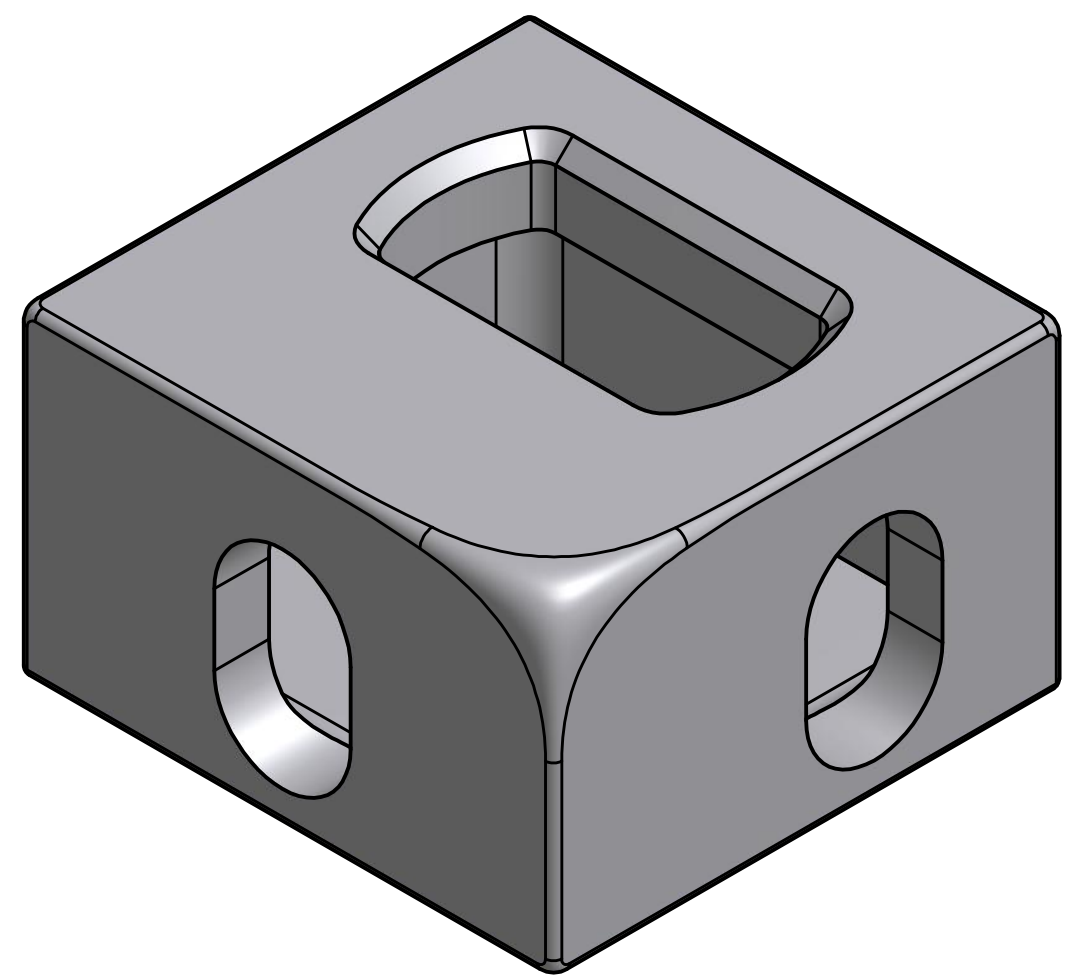
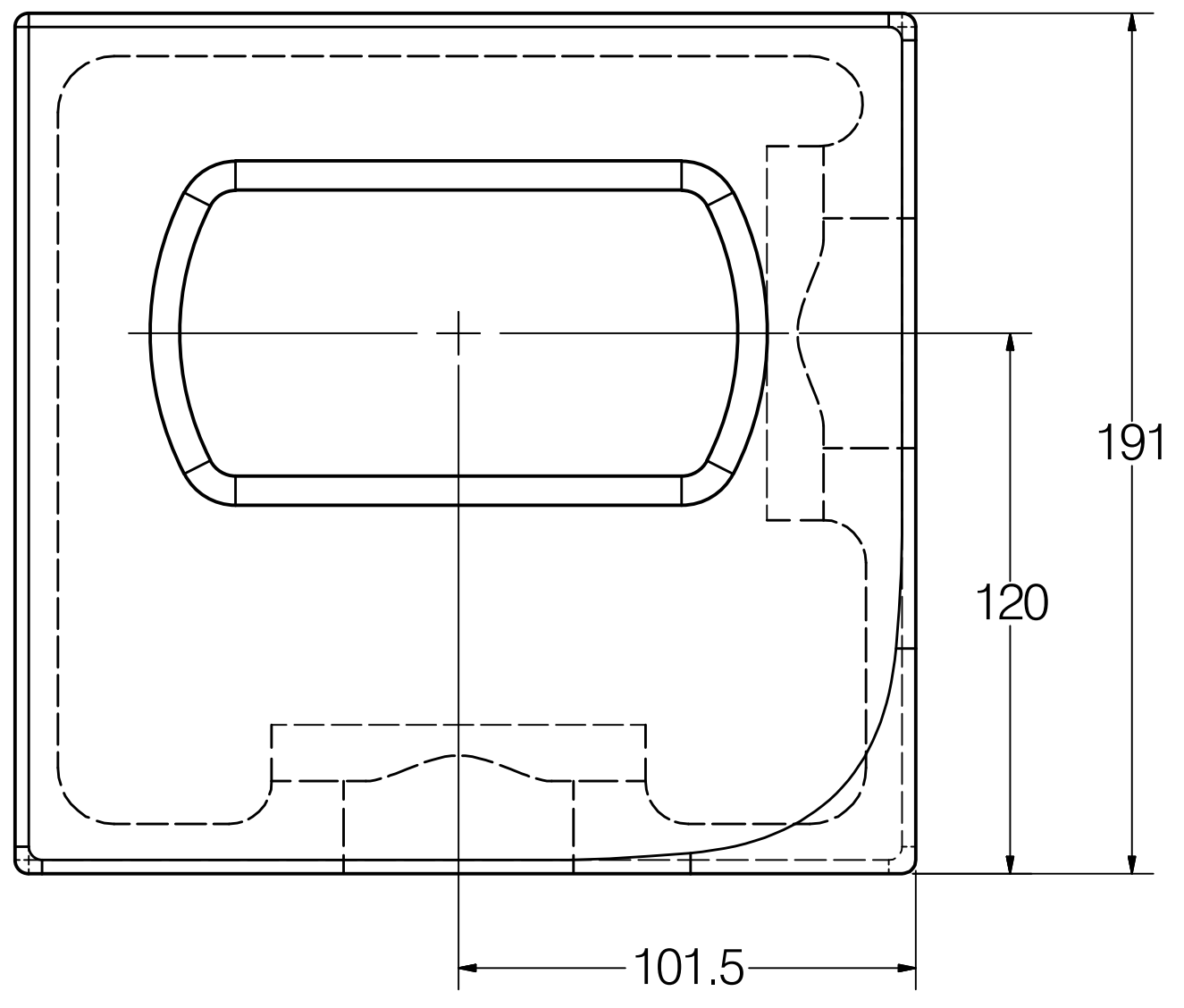


DCN.	ECN.	ECR	LOCATION	REV	BY	DATE	REMARKS
-	-	-	-	-	-	-	-



RH SHOWN (LH OPPOSITE)

CC	FEATURES LABELED AS SUCH SHALL REQUIRE STATISTICAL PROCESS CONTROL
SC	FEATURES LABELED AS SUCH REQUIRE REFERENCE TO A CONTROL PLAN

SHEET 1 OF 1	INITIALS JMB	DR.	DATE 3/25/2011	CK.	ENGR.	MFG.	QUAL.	MATL.
COUNTRY OF ORIGIN		3RD ANGLE PROJECTION	DO NOT SCALE PLOT SCALE 1:1 DRAWING SCALE NTS					
UNITS MILLIMETERS		<b>GEOMETRIC TOLERANCE SYMBOLS</b> CONCENTRICITY, SYMMETRICAL, PARALLELISM, FLATNESS, MOST MATERIAL CONDITION, PROFILE OF A SURFACE, LEAST MATERIAL CONDITION, REGARDLESS OF FEATURE SIZE, POSITION, CIRCULARITY, CYLINDRICITY, TOTAL RUNOUT, BASIC DIMENSION, DATUM, PERPENDICULARITY, STRAIGHTNESS, ANGULARITY, CIRCULAR RUNOUT, PROFILE OF A LINE			KRISRY INTERNATIONAL, INC. 1000 N. Rand Rd. Suite 117 Wauconda, IL 60084 (847) 487-4907			
This drawing is the property of Krisry International Inc. It is furnished to you for confidential information purposes only. It is not to be disclosed to anyone else, reproduced, or used for manufacturing purposes without the express written permission of Krisry International Inc.								REV
DRAWING TITLE EUROPEAN OVERLAND CORNER								DWG SIZE C
DRAWING NUMBER BLR542								