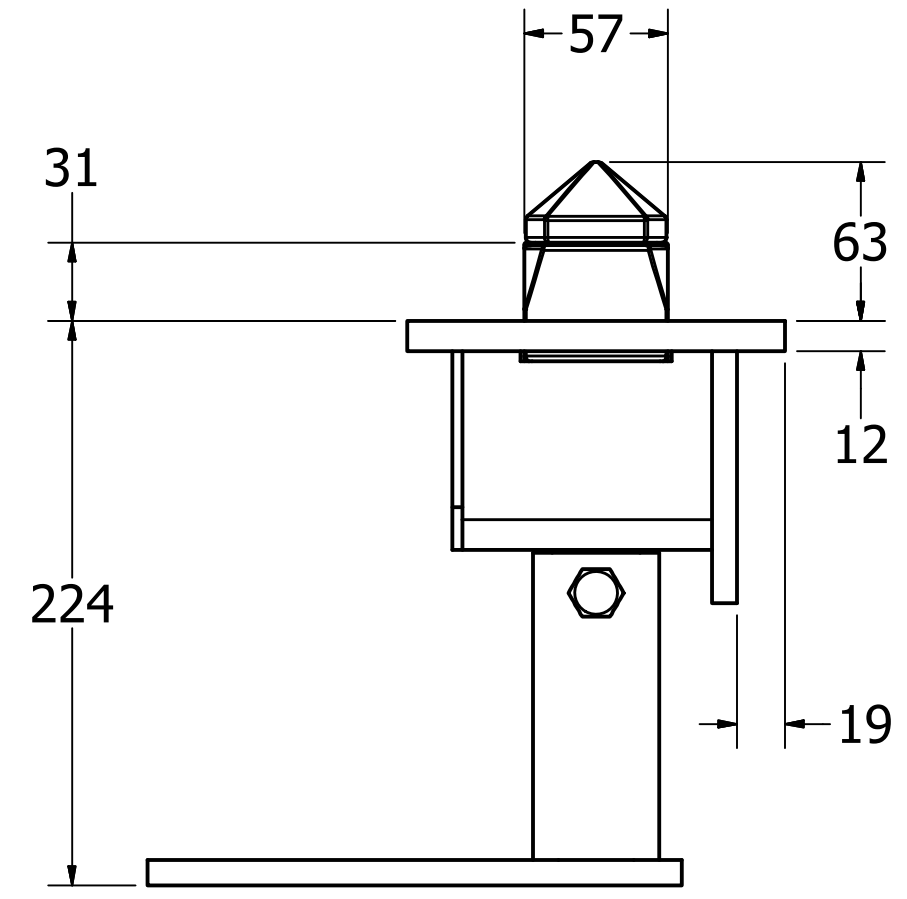
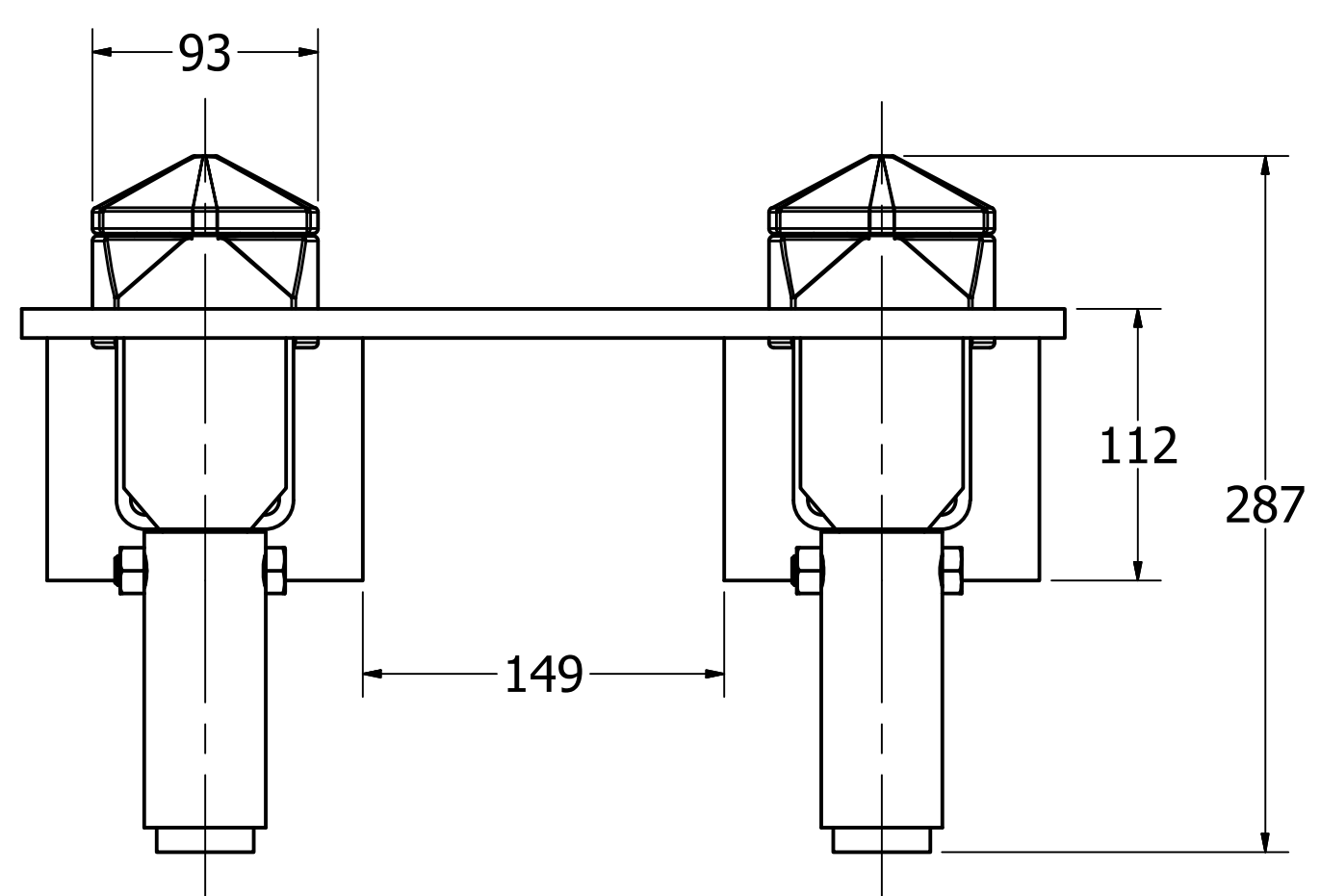
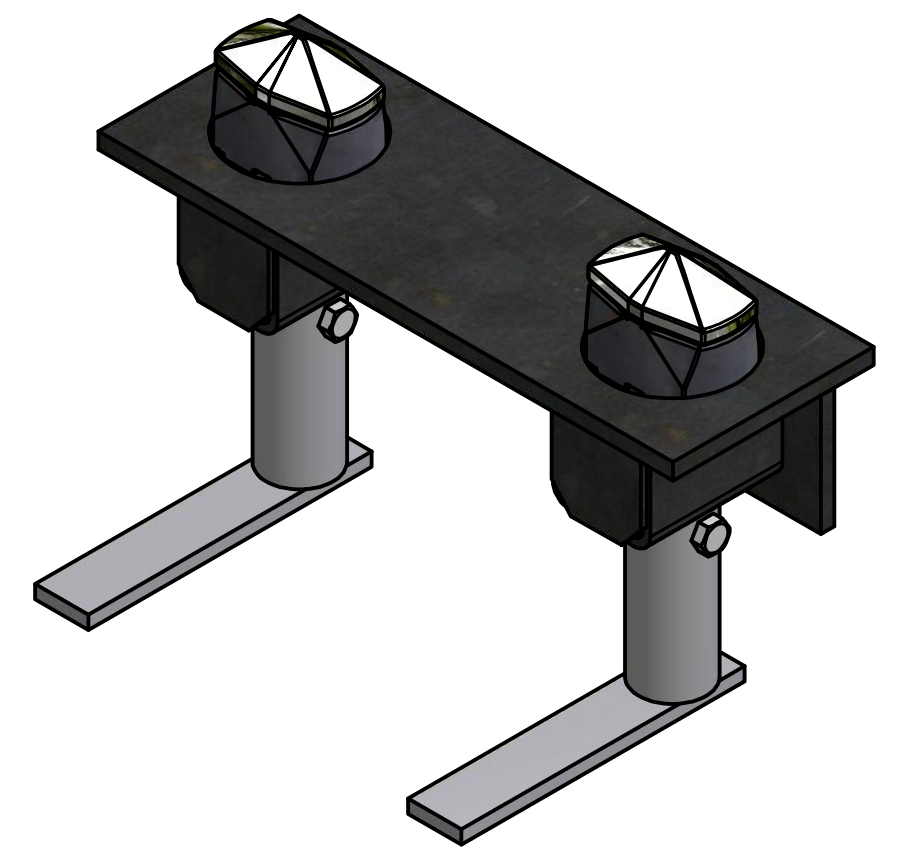
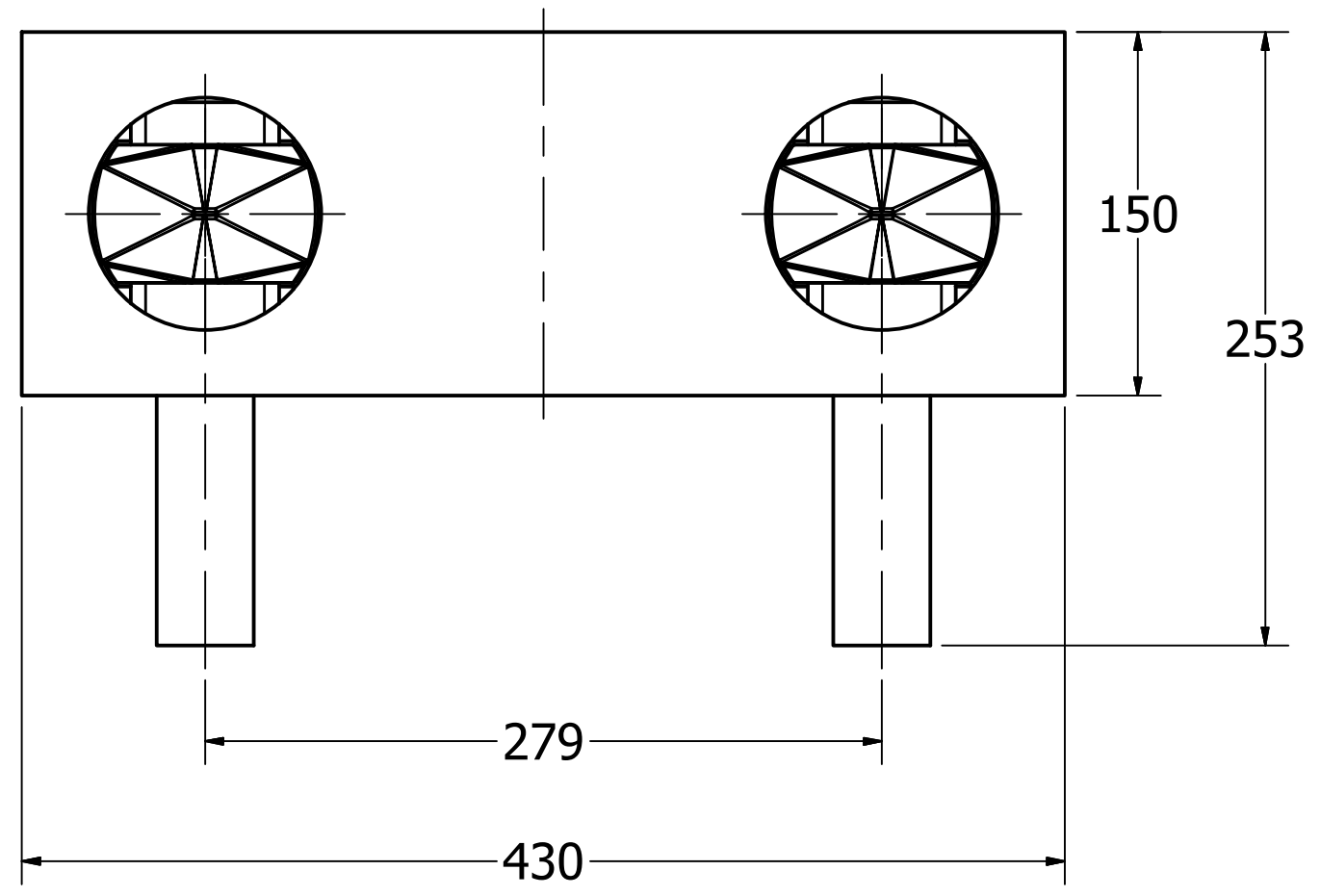


DCN.	ECN.	ECR	8	LOCATION	REV	BY	DATE	REMARKS	10	11
-	-	-	-	-	-	-	-	-	-	-



CC	FEATURES LABELED AS SUCH SHALL REQUIRE STATISTICAL PROCESS CONTROL
SC	FEATURES LABELED AS SUCH REQUIRE REFERENCE TO A CONTROL PLAN

SHEET	INITIALS	DR.	JMB	CK.	-	ENGR.	-	MFG.	-	QUAL.	-	MATL.	-
1 OF 1	DATE	12/9/2010											
COUNTRY OF ORIGIN	3RD ANGLE	DO NOT SCALE	KRISRY INTERNATIONAL, INC. 1000 N. Rand Rd. Suite 117 Wauconda, IL 60084 (847) 487-4907										
UNITS	PROJECTION	PLOT SCALE	This drawing is the property of Krisry International Inc. It is furnished to you for confidential information purposes only. It is not to be disclosed to anyone else, reproduced, or used for manufacturing purposes without the express written permission of Krisry International Inc.										
MILLIMETERS		1:1	DRAWING TITLE <b>DOUBLE TWISTLOCK</b>										
<b>GEOMETRIC TOLERANCE SYMBOLS</b>												REV	
<ul style="list-style-type: none"> <li>⊙ CONCENTRICITY</li> <li>⊕ SYMMETRICAL</li> <li>∥ PARALLELISM</li> <li>⊥ FLATNESS</li> <li>⊙ MOST MATERIAL CONDITION</li> <li>⊕ PROFILE OF A SURFACE</li> <li>⊙ LEAST MATERIAL CONDITION</li> <li>⊙ REGARDLESS OF FEATURE SIZE</li> </ul>	<ul style="list-style-type: none"> <li>⊕ POSITION</li> <li>⊙ CIRCULARITY</li> <li>⊙ CYLINDRICITY</li> <li>⊙ TOTAL RUNOUT</li> <li>⊙ PROFILE OF A LINE</li> <li>⊙ BASIC DIMENSION</li> <li>⊙ DATUM</li> </ul>	<ul style="list-style-type: none"> <li>⊥ PERPENDICULARITY</li> <li>— STRAIGHTNESS</li> <li>∠ ANGULARITY</li> <li>⊙ CIRCULAR RUNOUT</li> <li>⊙ PROFILE OF A LINE</li> <li>⊙ BASIC DIMENSION</li> <li>⊙ DATUM</li> </ul>	DRAWING NUMBER KRY103 Assy										DWG SIZE <b>C</b>
PATH													